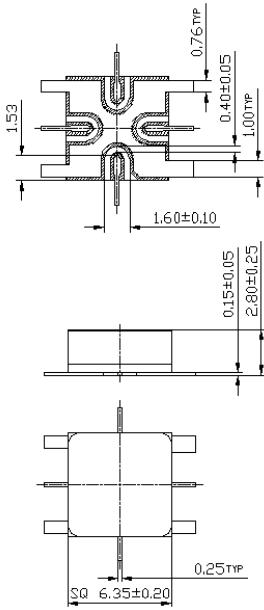
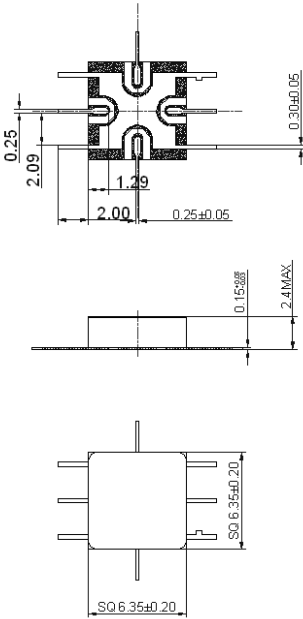


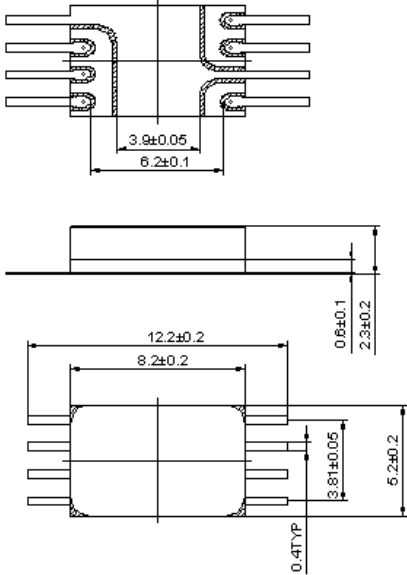
# Appendix B: Package Outline and Dimension



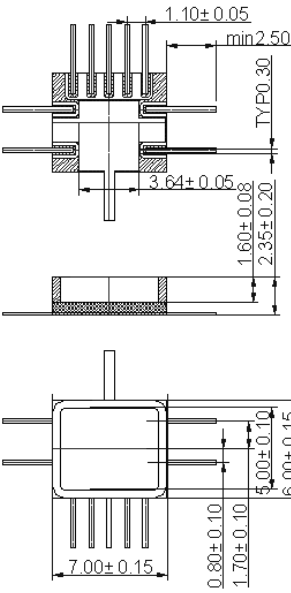
SM03B



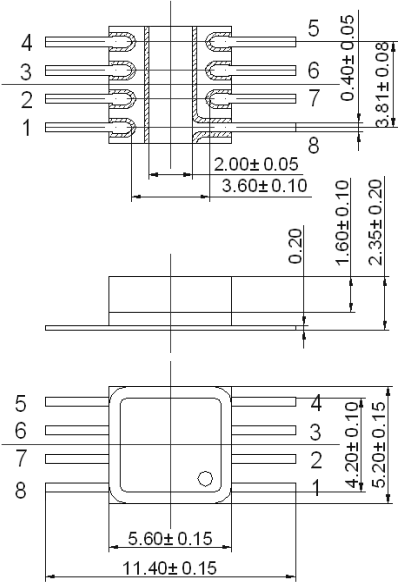
SM03C



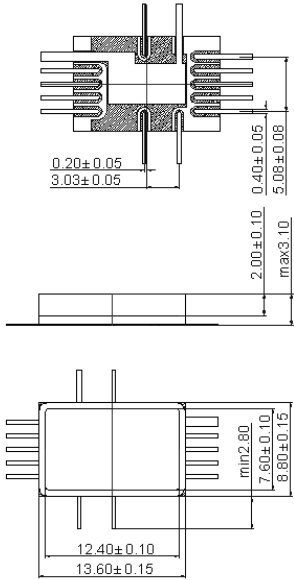
SM24



SM29

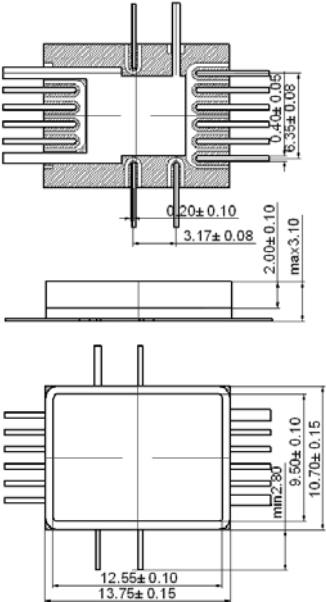


SM30

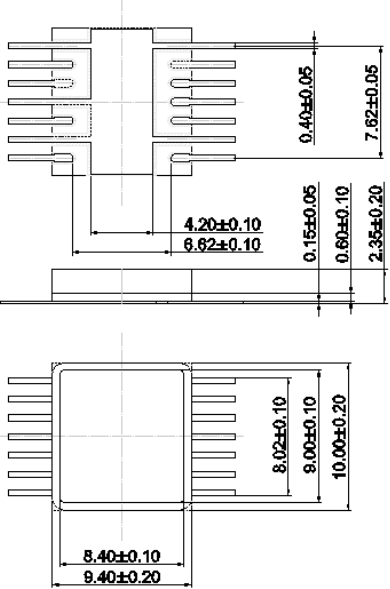


SM31

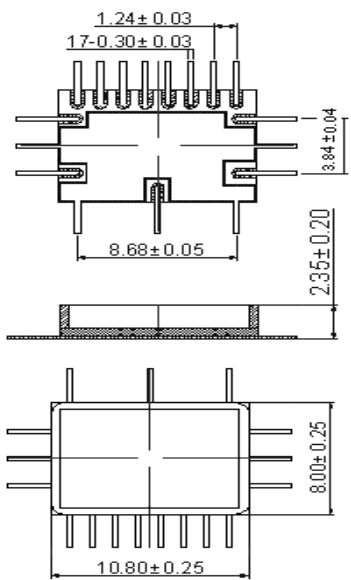
# Appendix B: Package Outline and Dimension



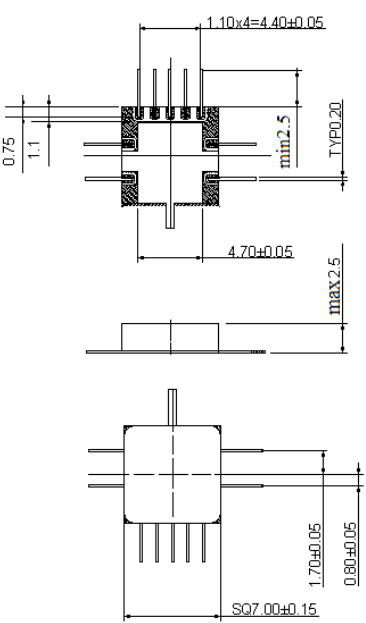
SM32



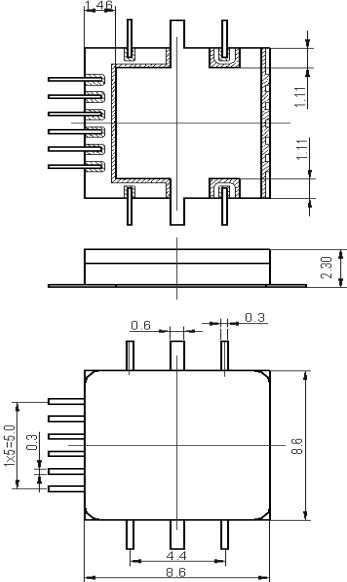
SM37



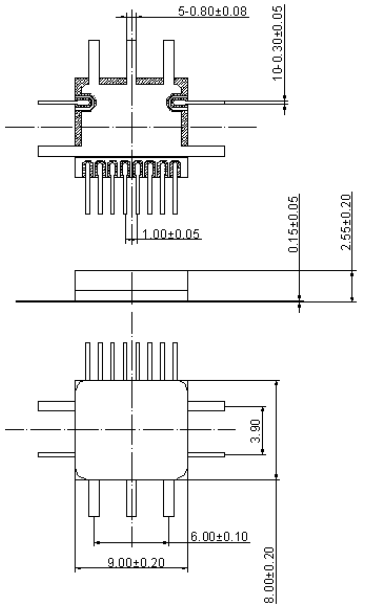
SM38



SM39

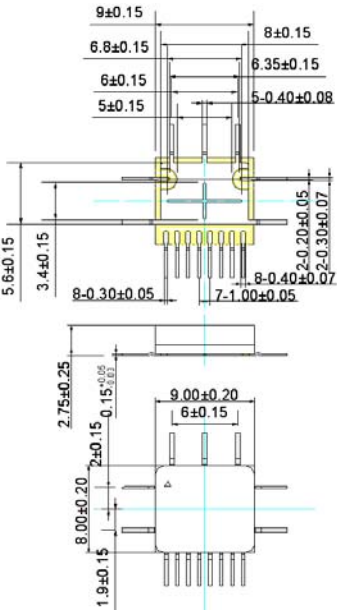


SM43

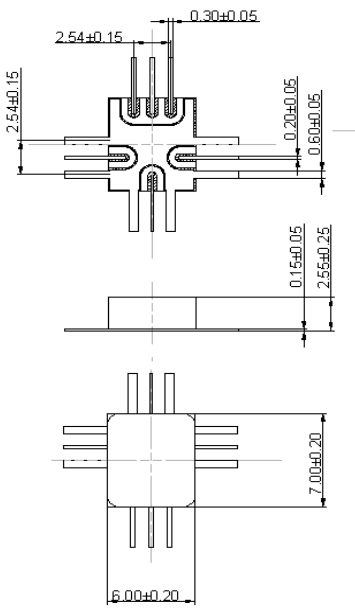


SM55

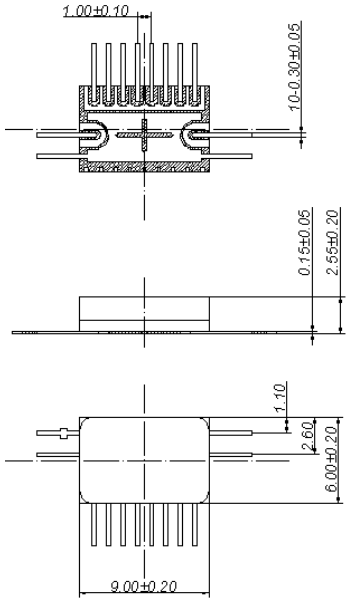
# Appendix B: Package Outline and Dimension



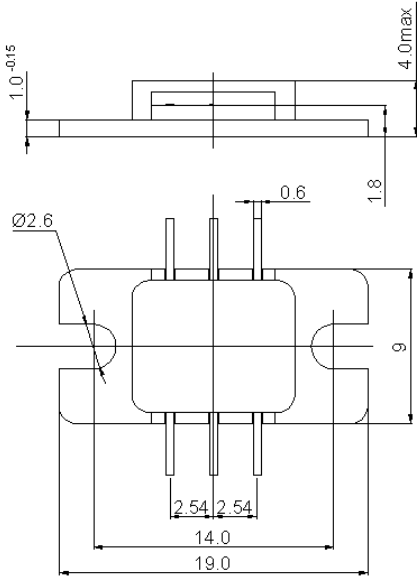
SM55A



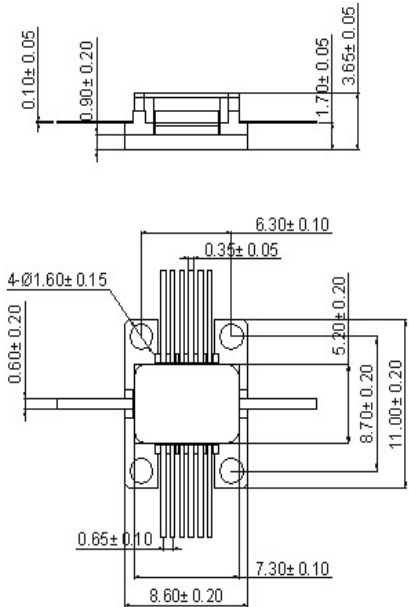
SM65



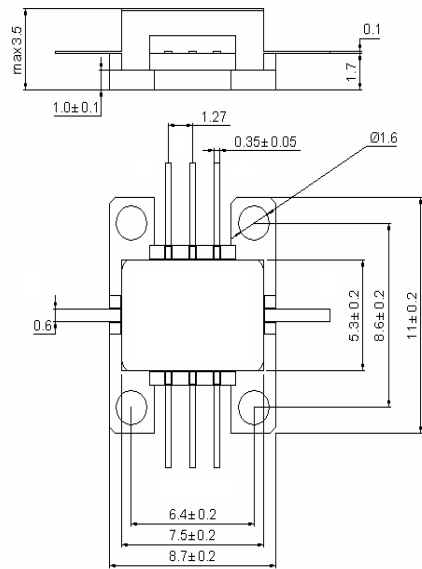
SM66



QF35A

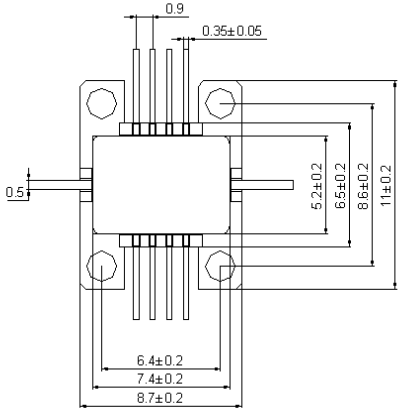
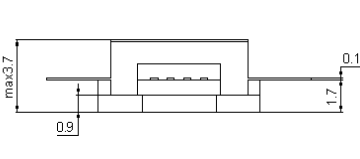


QF046

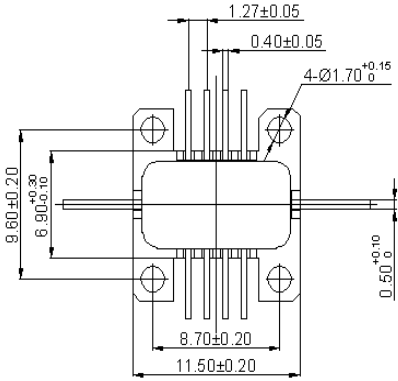
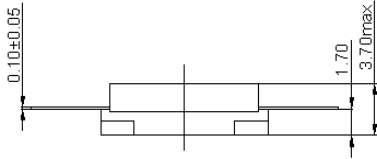


QF046A

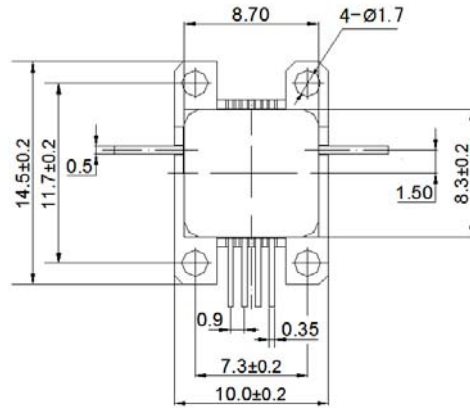
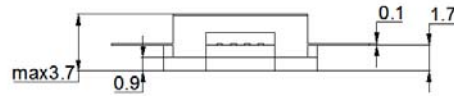
# Appendix B: Package Outline and Dimension



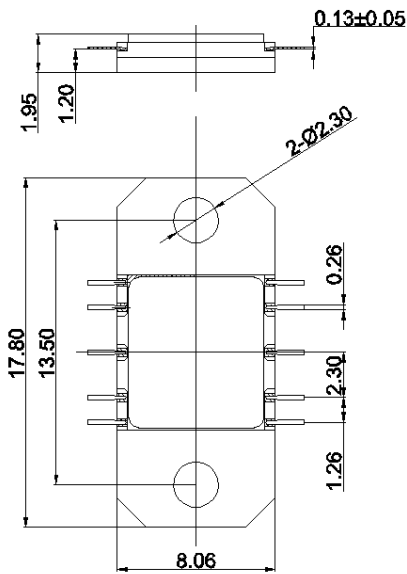
QF046B



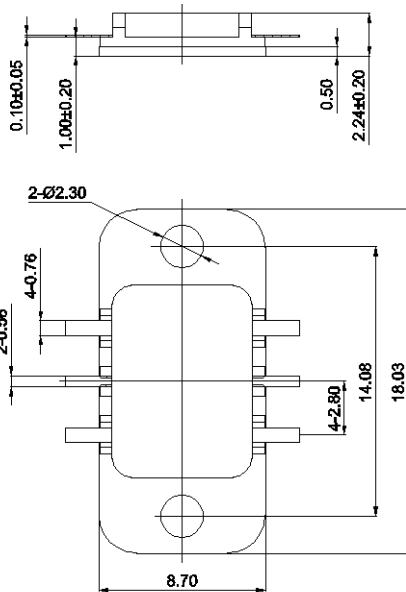
QF069



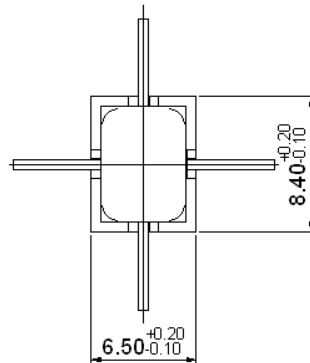
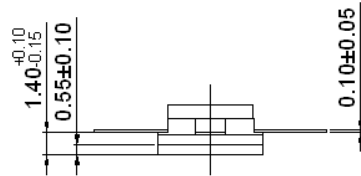
QF072A



QF087

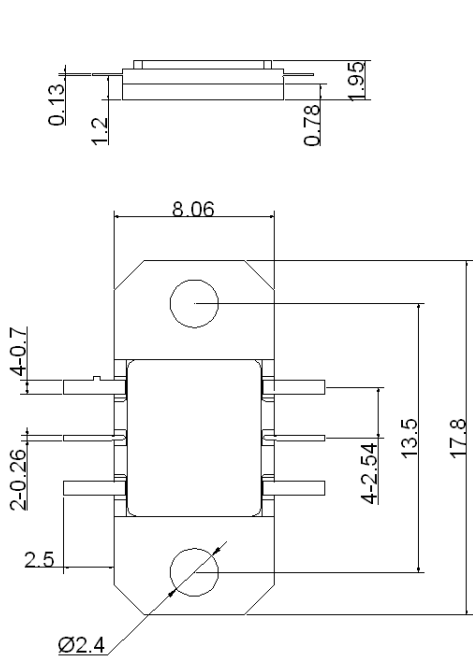


QF089

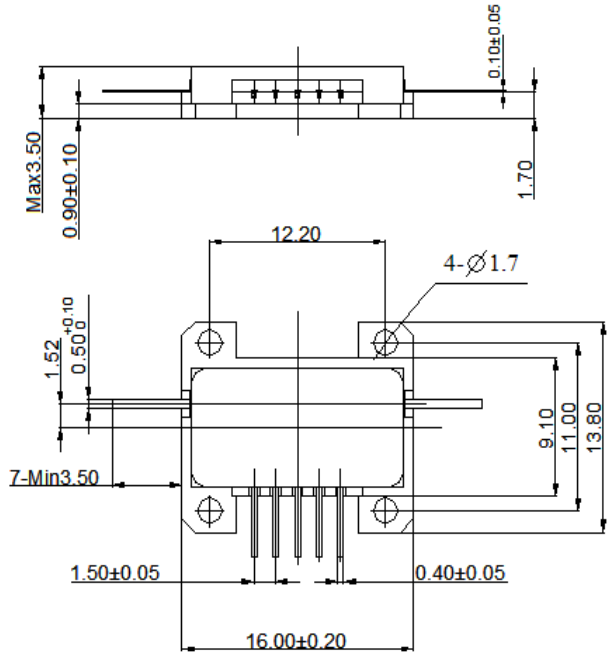


QF090

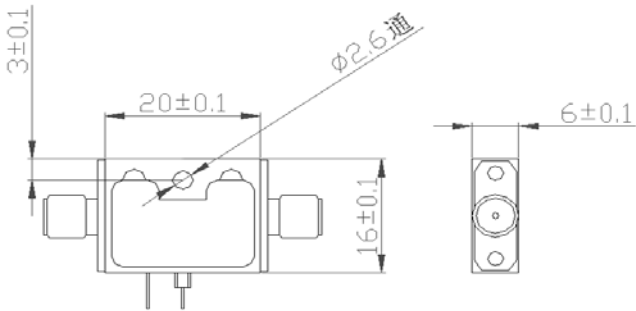
# Appendix B: Package Outline and Dimension



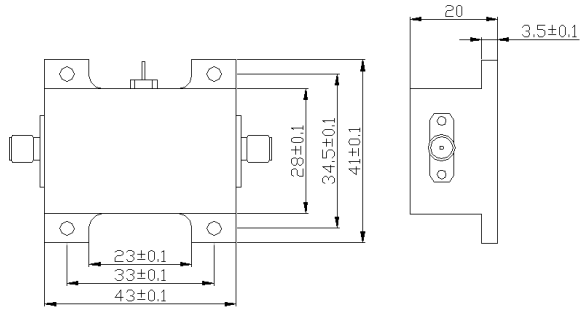
QF087A



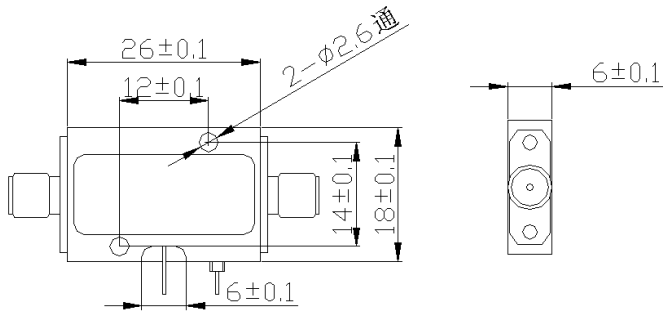
QF098



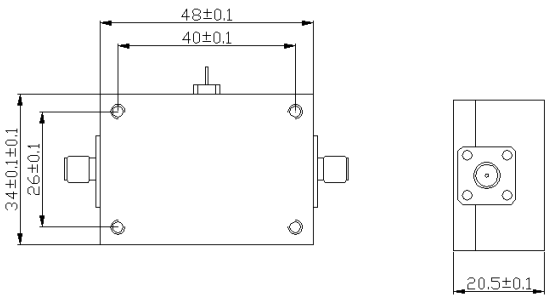
SMA-1



SMA-3

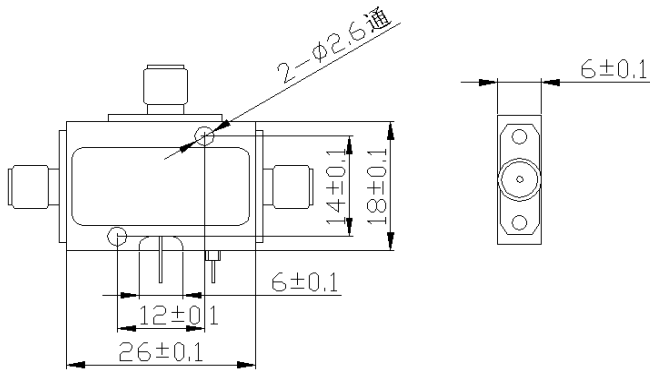


SMA-2

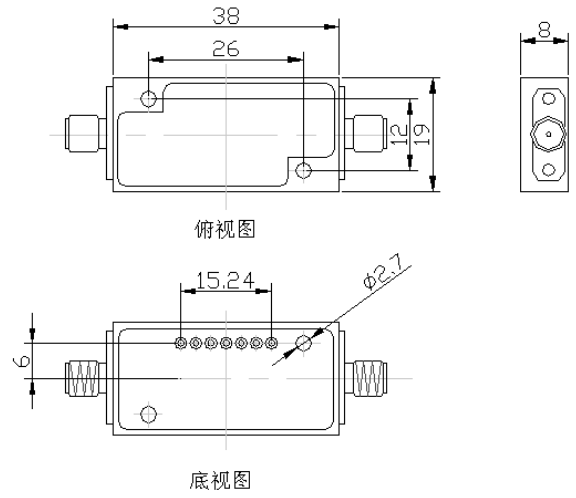


SMA-4

# Appendix B: Package Outline and Dimension

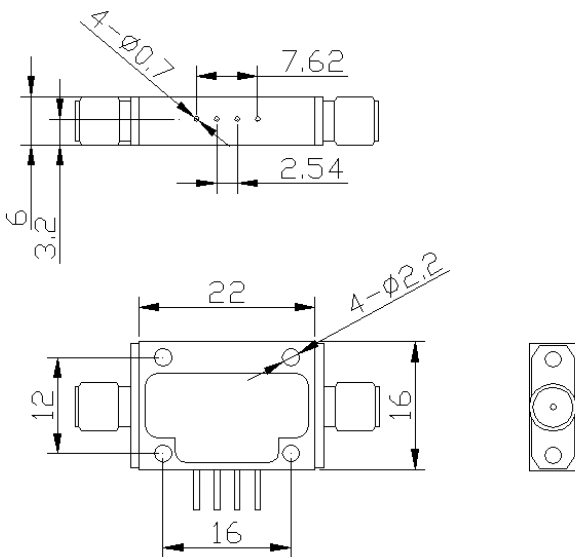


SMA-5

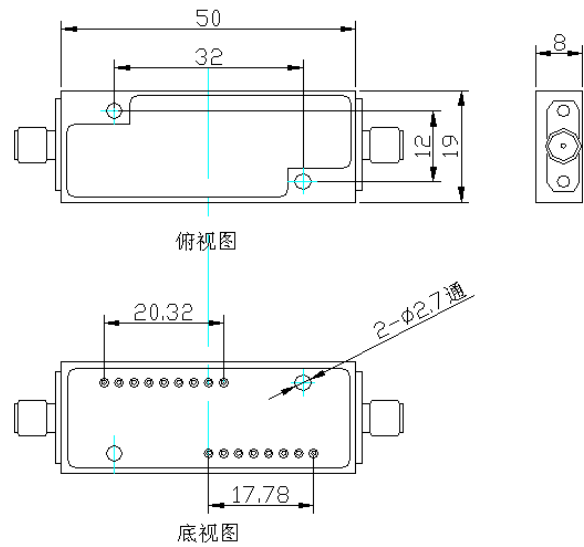


排针间距为2.54mm, 排针直径为0.7mm

SMA-6



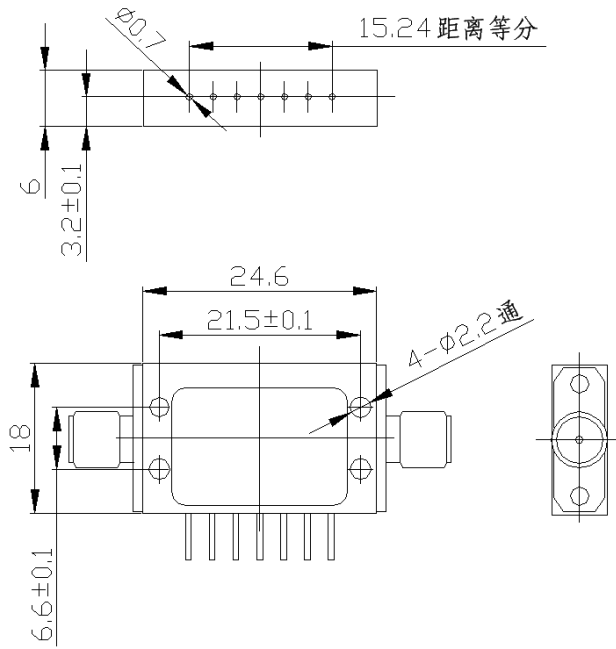
SMA-7



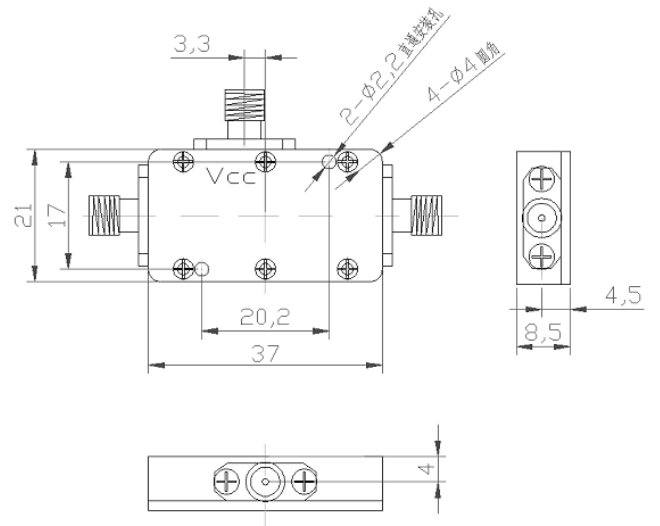
排针间距为2.54mm, 排针直径为0.7mm

SMA-8

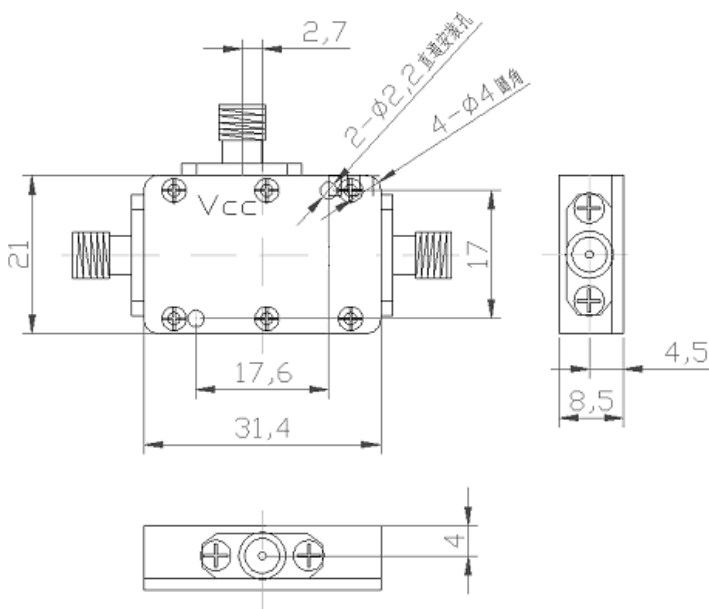
## Appendix B: Package Outline and Dimension



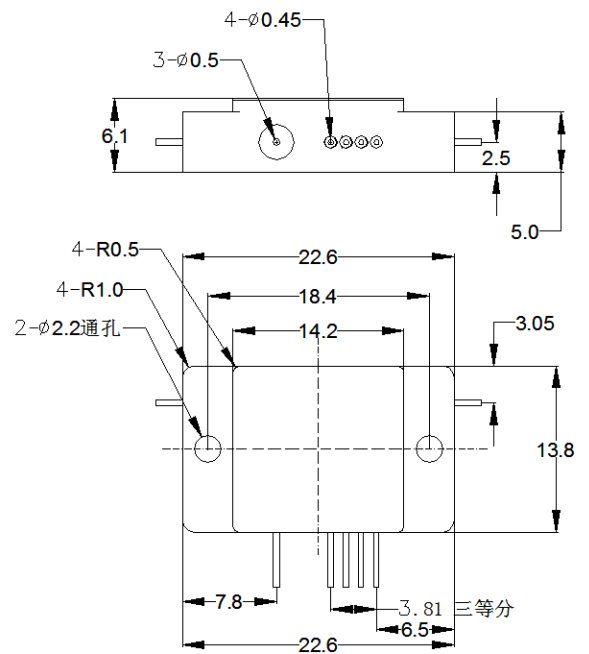
SMA-9



SMA-10

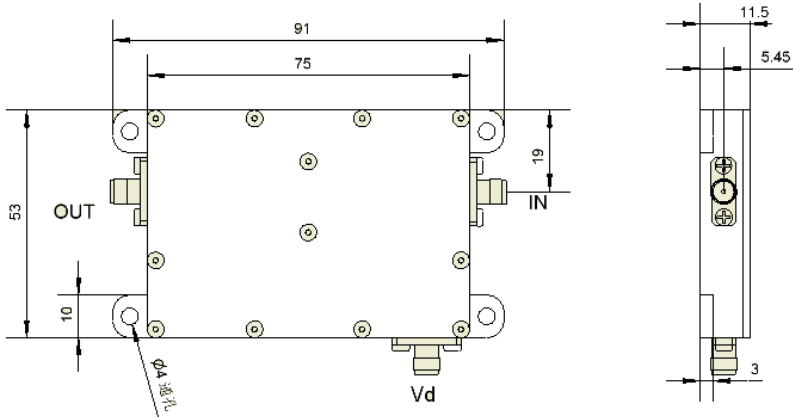


SMA-11

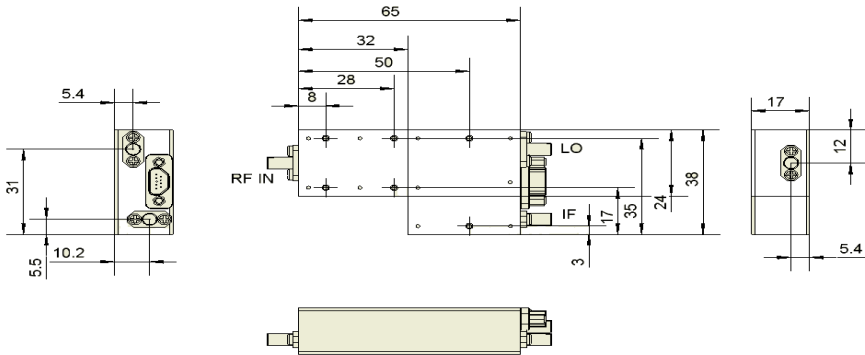


SMA-12

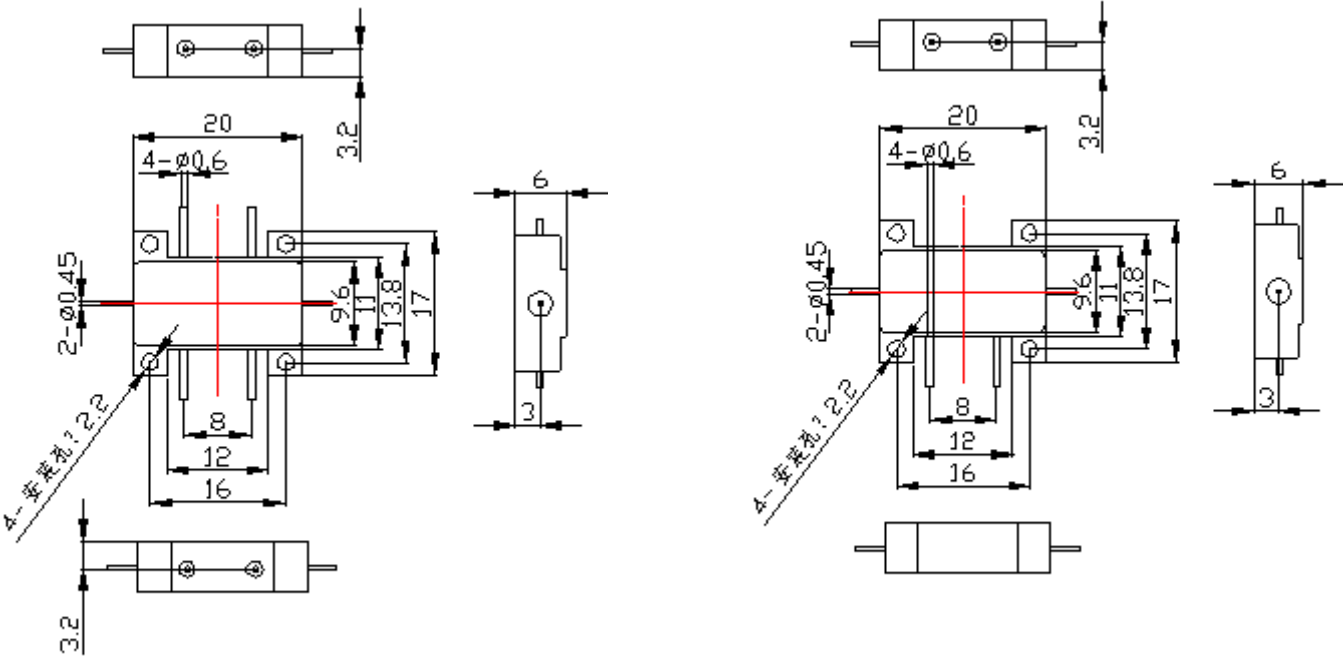
# Appendix B: Package Outline and Dimension



SMA-13



SMA-14

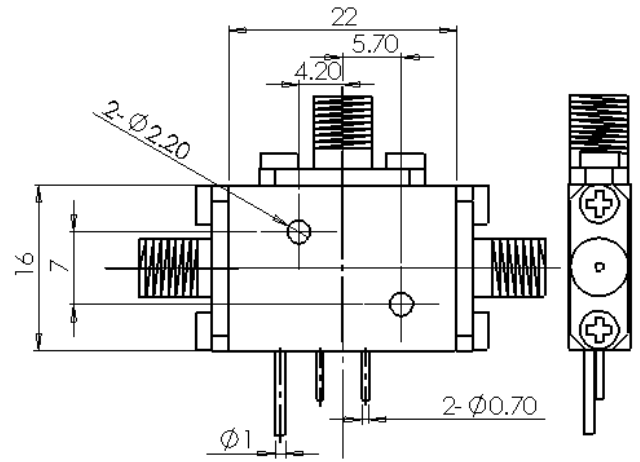
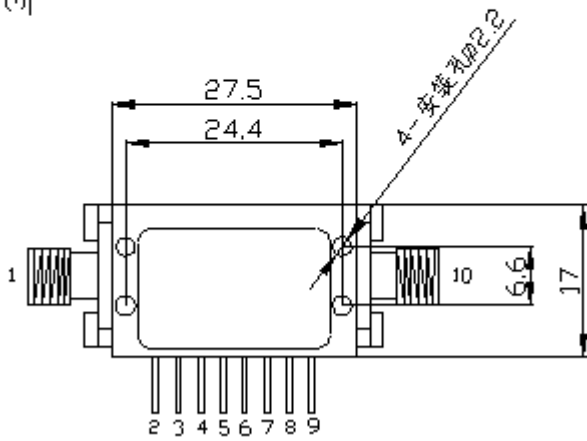
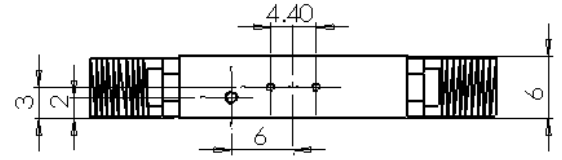
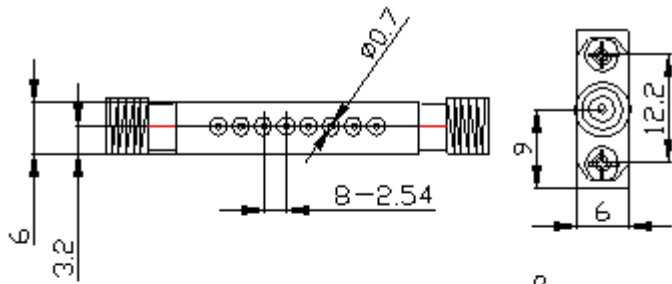


SMA-15

SMA-16

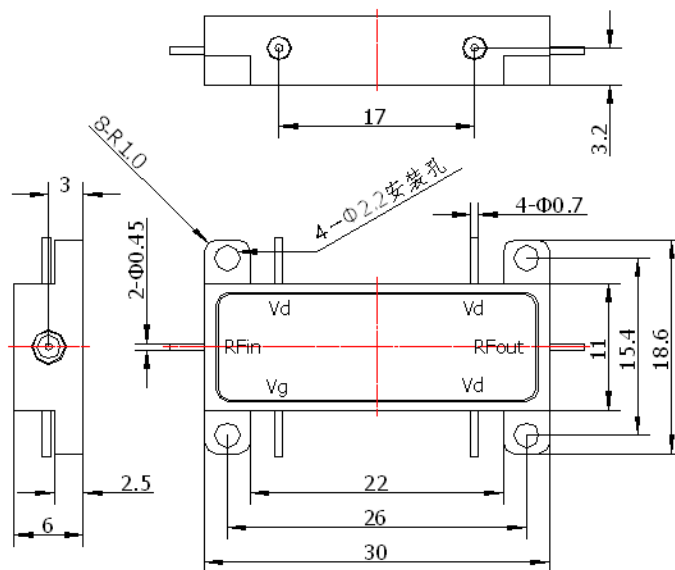


## Appendix B: Package Outline and Dimension



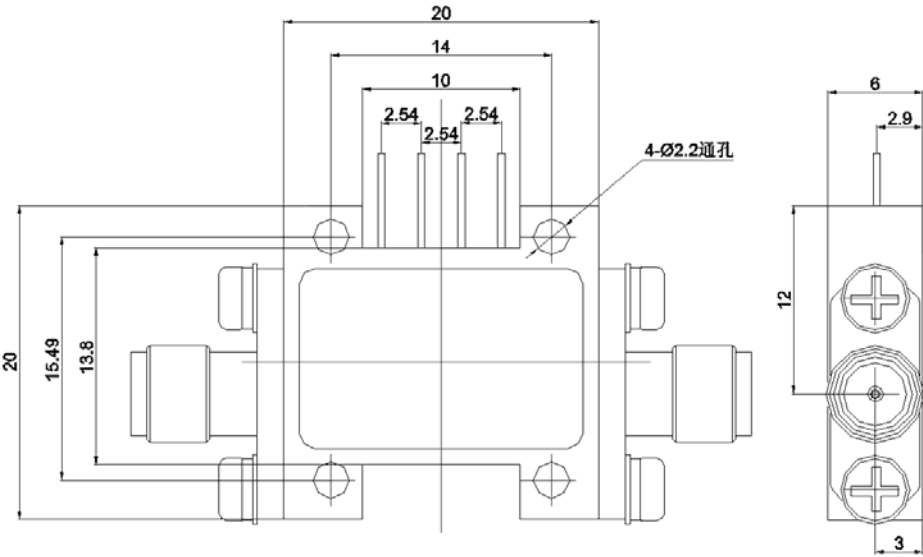
SMA-17

SMA-18

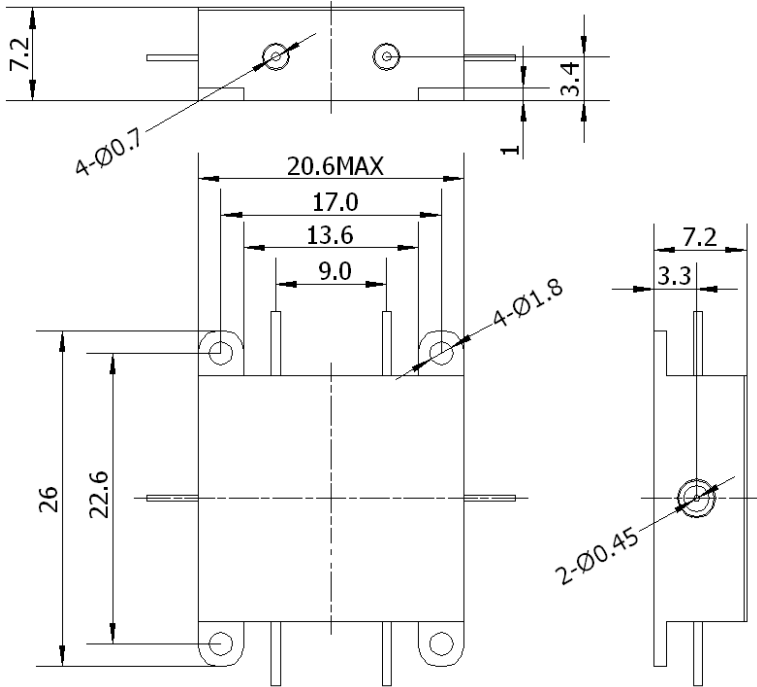


SMA-25

# Appendix B: Package Outline and Dimension

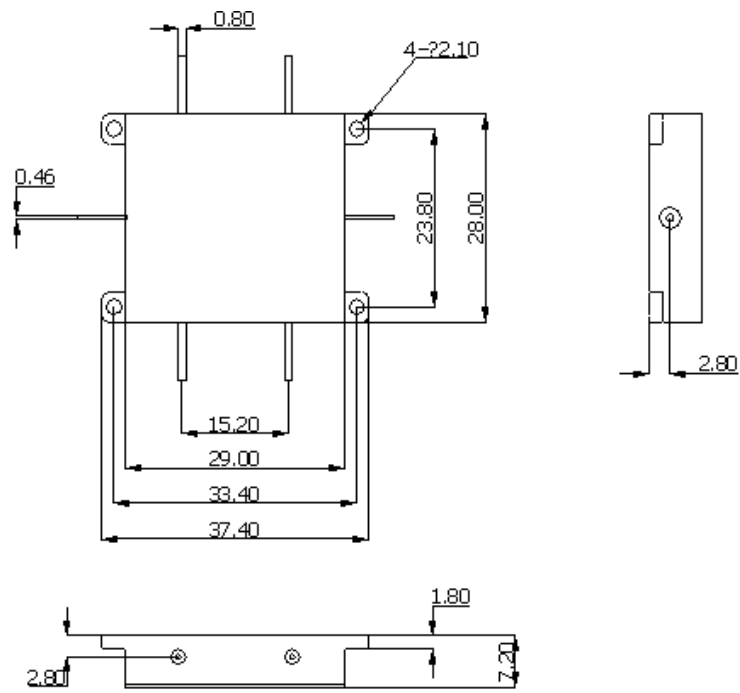


SMA-33

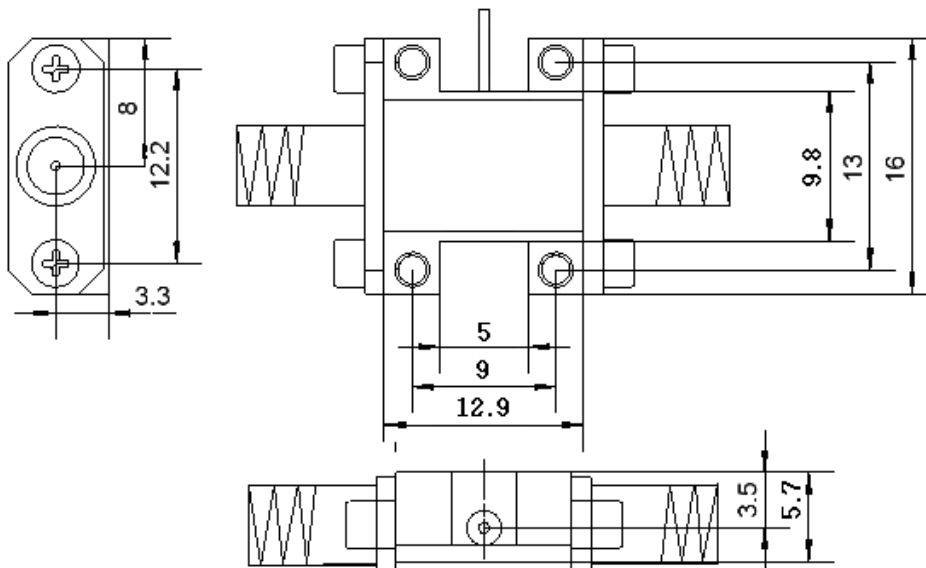


SMA-34

## Appendix B: Package Outline and Dimension

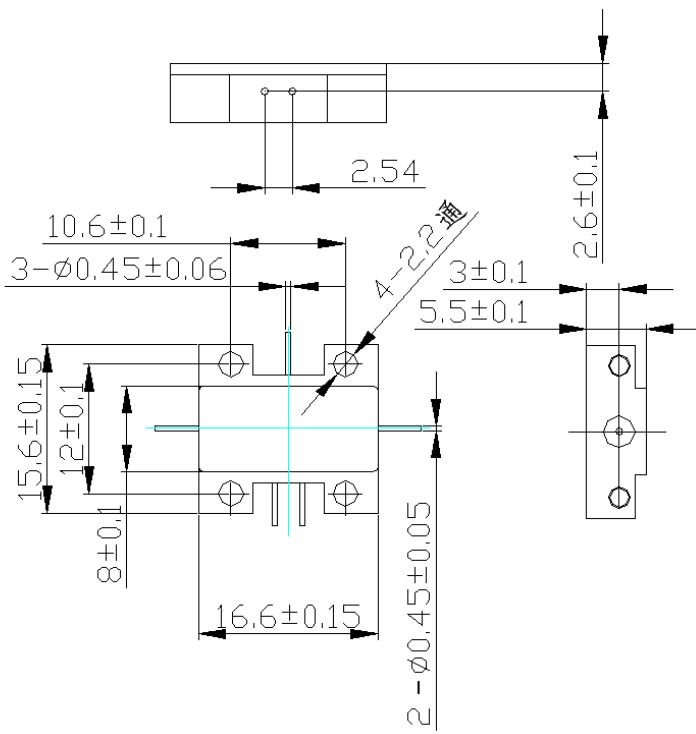


SMA-39

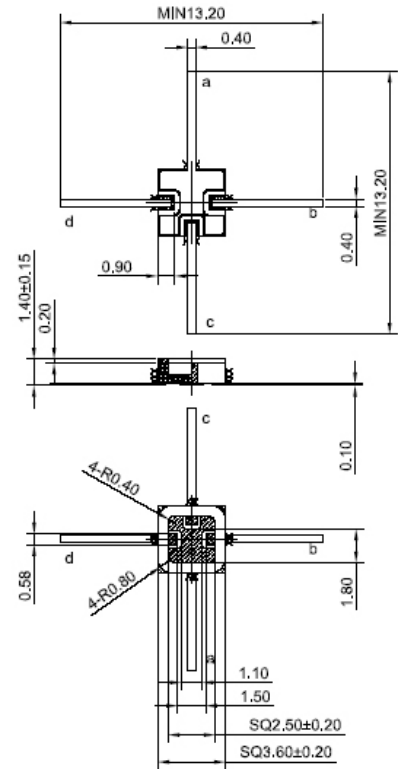


SMA-40

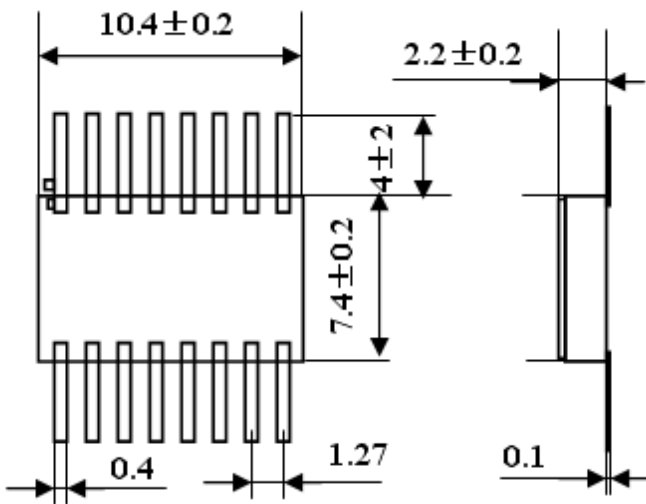
# Appendix B: Package Outline and Dimension



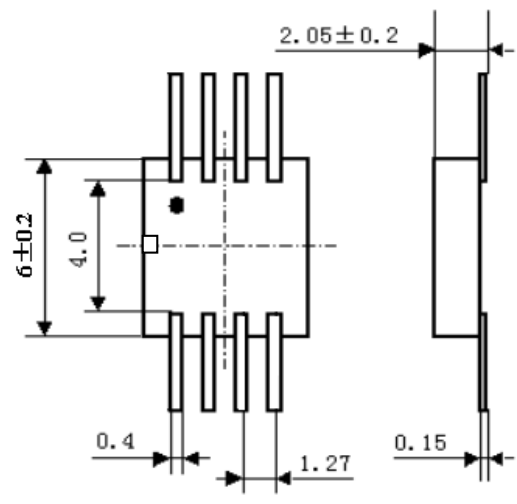
SMA-41



ST-33

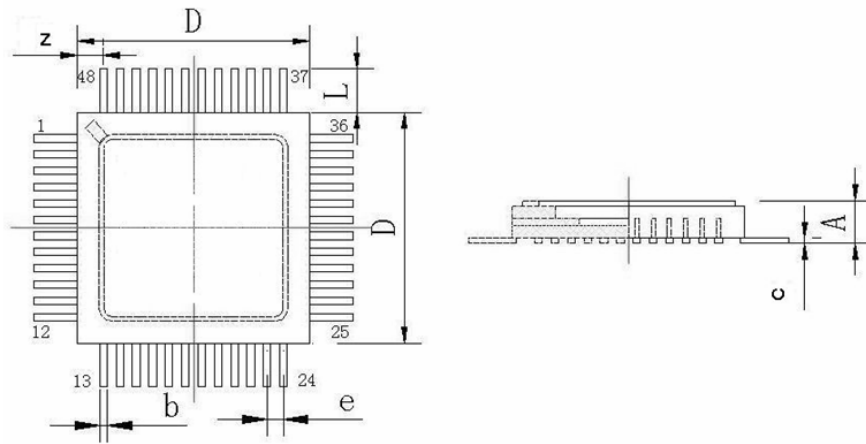


FP-16



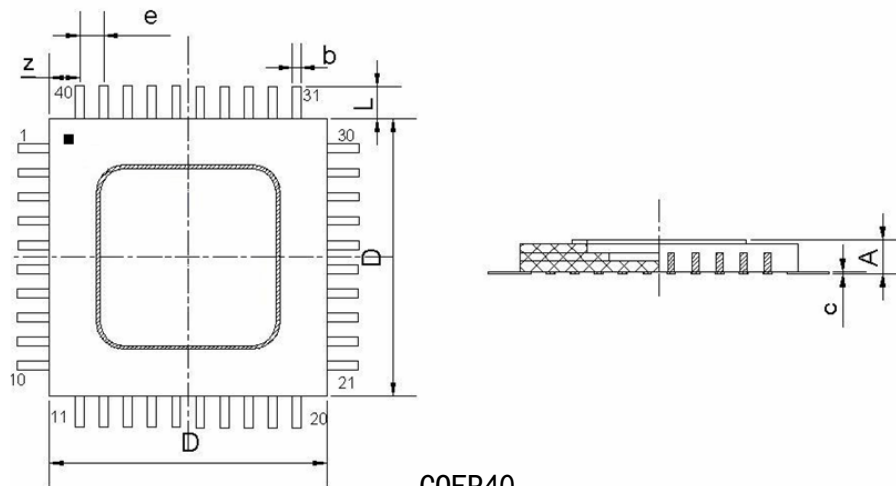
FP-08

## Appendix B: Package Outline and Dimension



**CQFP48**

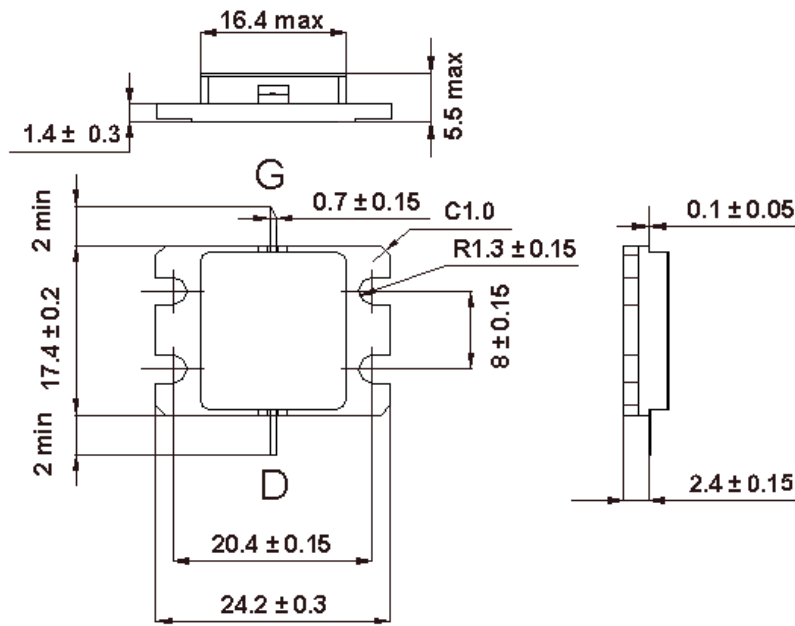
Symbol	Value ( mm )		
	Min.	Typ.	Max
A	2.0	--	2.8
b	0.2	--	0.5
c	0.1	--	0.3
D	13.7	--	14.7
e	--	1.0	--
L	1.8	--	--
z	--	--	2.0



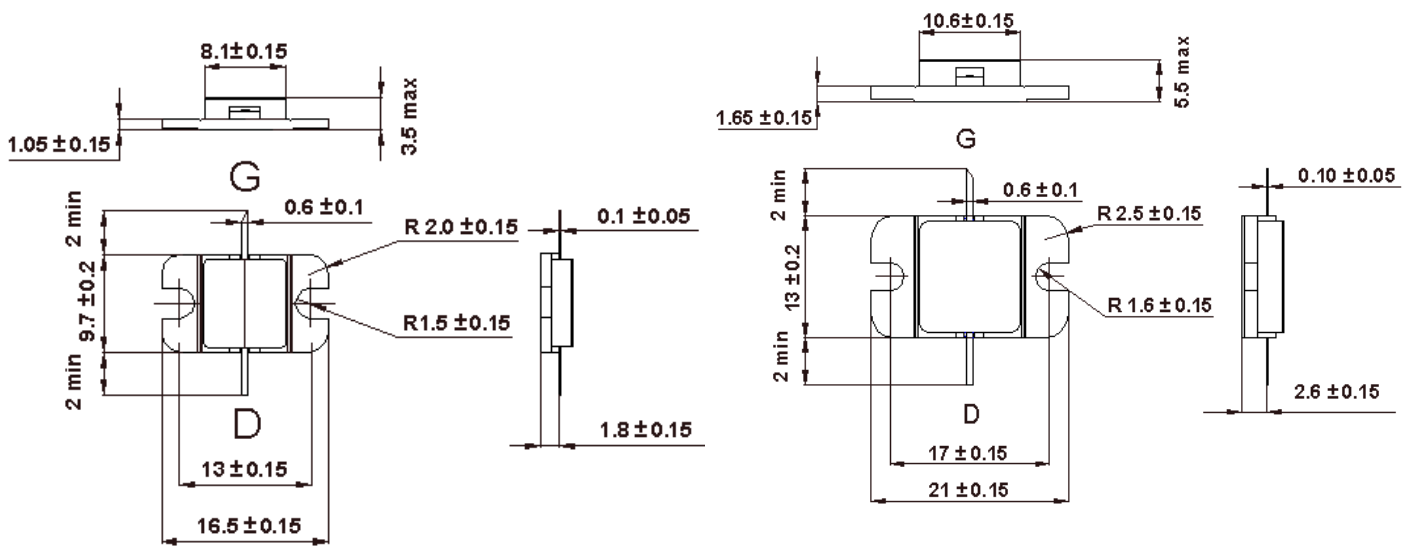
**CQFP40**

Symbol	Value ( mm )		
	Min.	Typ.	Max
A	2.4	-	3.0
b	0.4	-	0.8
c	0.1	-	0.3
D	14.1	-	15.1
e	-	1.27	-
L	1.8	-	-
z	-	-	2.0

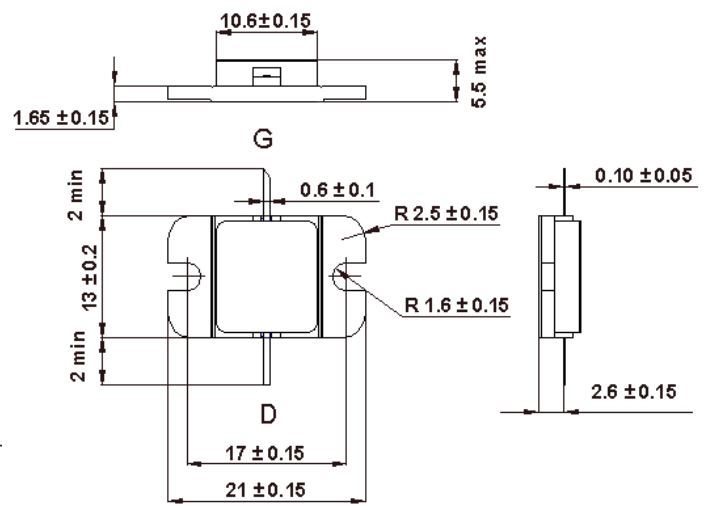
## Appendix B: Package Outline and Dimension



**QF136**



**QF97**



**QF92B**