

MSDI series(HD-SDI/1080P) slip rings

MOFLON's HD-SDI slip ring solutions have been developed to provide reliable products to allow transfer of the HD-SDI signal through a rotating interface, specially designed for high frequency signal transmission; the frequency could be high to 2.5 GHz.

High performance contact technology

Available with power and signal combinations



MODEL#	OD*LENGTH (MM)	2A/SIGNAL	HD-SDI	MAX SPEED
MSDI212	Φ24.8mm*29.6mm	12 wires	1 channel	150RPM
MSDI216	Φ22.0mm*28.8mm	16 wires	1 channel	150RPM
MSDI224	Φ32.8mm*62.8mm	24 wires	1 channel	150RPM
MSDI230	Φ32.8mm*82mm	30 wires	1 channel	150RPM

Can't find what i want?

If you don't see what you want in MSDI standard series – let us know; we may already have it designed or we will modify a design to meet your requirements. In many cases, 1XHD-SDI could mixed with 10A current, 20A current and signal wires.

For a detailed outline drawing of a specific model number, or to request a quotation, please contact your local sales representative (see our website <http://www.moflon.com/contact.html>) or send an email to sales@moflon.com

MSDI212 Slip Rings

MSDI212 slip rings are HD-SDI small and compact slip rings, with ODΦ24.8mm*L 29.6mm, standard, off-the-shelf, available in stock.

Specially designed for 1080P video transmitting.

Used RG-179, 75 ohms, Frequency rate can reach up to DC-2.3GHz.



Specifications

PART #	OD * L	HD-SDI	2A/SIGNAL
MSDI212	Φ24.8mm*L 29.6mm	1	12

RF Rotary Joint Specifications

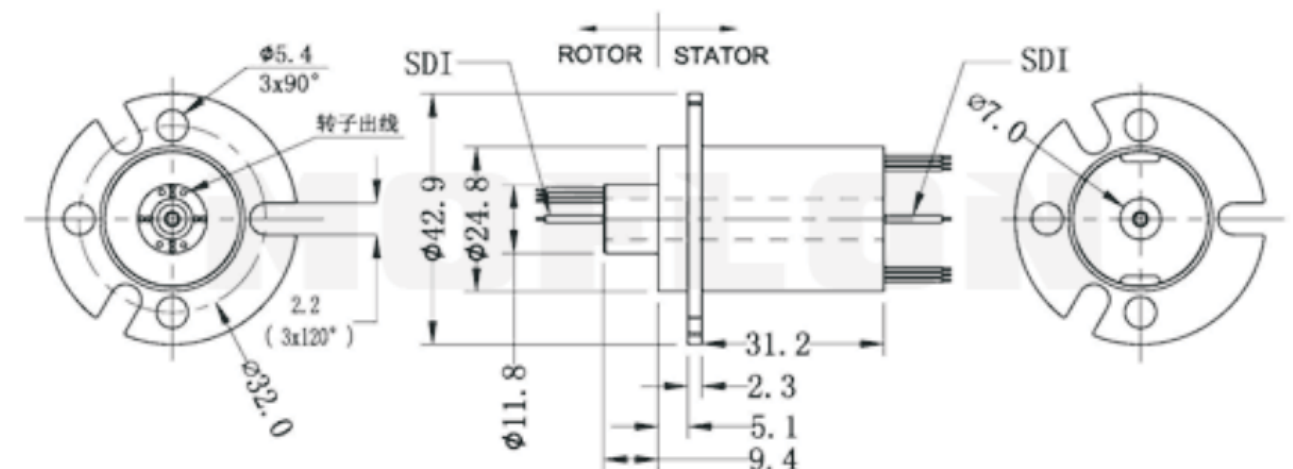
Frequency rate	DC-2.3GHz	Insertion loss	0.65 dB / 1GHz Max
Insertion loss typical	+/-0.05dB	Return loss	-18 dB / 1GHz Max
In put out put	RG -179/U	Max speed	150RPM
Voltage standing wave ratio	VSWR≤1.3	wave ratio typical	+/-0.05
Working life	200million revolutions	Connector types	BNC / F
Impedance	75 ohms	Rating Current	DC 1A Max

Electrical Specifications

Rating voltage	240 VDC/VAC	Contact material	Precious Metal:Gold-Gold
Dielectric strength	600VDC@50Hz	Lead Wire	UL Teflon@ Awg28
Insulation resistance	1000MΩ@500VDC	Lead Lengths	250mm
Operating Temp.	-40°C to 80°C	Protection	IP51
Mechanical vibratio	MIL-SID-810E	Humidity	10% to 90% RH
Materials	Lead Free, RoHS compliant	CE Certified	YES

Drawings

Standard drawings:



MSDI212 - MSDI SERIES

Lead wire Color codes

Rings#	Color Code	Rings#	Color Code	Rings#	Color Code
1	BLK	5	YEL	9	GRY
2	BRN	6	GRN	10	WHT
3	RED	7	BLU	11	PINK
4	ORN	8	PURPLE	12	AZURY

Options

- ▶ Specified connectors and Heat-shrink tube.
- ▶ Longer lead lengths available.
- ▶ Shielded cables
- ▶ Connectors

Application**Typical Application**

- ▶ CCTV Monitoring System.
- ▶ Electrical test equipment.
- ▶ Medical equipment.
- ▶ Rotary table
- ▶ Robotics
- ▶ Laboratory equipmen
- ▶ Manufacturing and process control equipment
- ▶ and so on...
- ▶ if you want to use this series slip ring on your mechanism, pls contact us for more application:technical@moflon.com

Can't find what i want?

If you don't see what you want in MSDI standard series – let us know; we may already have it designed or we will modify a design to meet your requirements. In many cases, 1XHD-SDI could mixed with 10A current, 20A current and signal wires.

For a detailed outline drawing of a specific model number, or to request a quotation, please contact your local sales representative (see our website <http://www.moflon.com/contact.html>) or send an email to sales@moflon.com

MSDI216 Slip Rings

MSDI216 slip rings are HD-SDI small and compact slip rings, with OD Φ 22.08mm*L 28.8mm, standard, off-the-shelf, available in stock.

Specially designed for 1080P video transmitting.

Used RG-179,75 ohms, Frequency rate can reach up to DC-2.3GHz.



Specifications

PART #	OD * L	HD-SDI	2A/SIGNAL
MSDI216	Φ 22.0mm*L 28.8mm	1	16

RF Rotary Joint Specifications

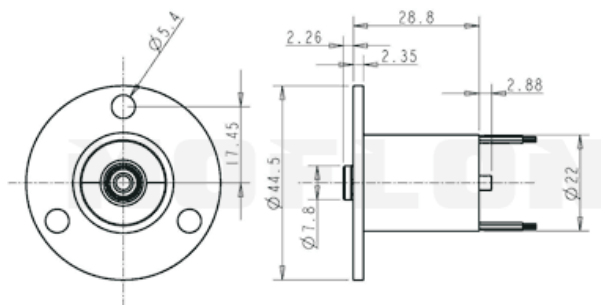
Frequency rate	DC-2.3GHz	Insertion loss	0.65 dB / 1GHz Max
Insertion loss typical	+/-0.05dB	Return loss	-18 dB / 1GHz Max
In put out put	RG -179/U	Max speed	150RPM
Voltage standing wave ratio	VSWR \leq 1.3	wave ratio typical	+/-0.05
Working life	200million revolutions	Connector types	BNC / F
Impedance	75 ohms	Rating Current	DC 1A Max

Electrical Specifications

Rating voltage	240 VDC/VAC	Contact material	Precious Metal:Gold-Gold
Dielectric strength	600VDC@50Hz	Lead Wire	UL Teflon $\text{\textcircled{R}}$ Awg28
Insulation resistance	1000M Ω @500VDC	Lead Lengths	250mm
Operating Temp.	-40 $^{\circ}$ C to 80 $^{\circ}$ C	Protection	IP51
Mechanical vibratio	MIL-SID-810E	Humidity	10% to 90% RH
Materials	Lead Free,RoHS compliant	CE Certified	YES

Drawings

Standard drawings:



Lead wire Color codes

Rings#	Color Code	Rings#	Color Code	Rings#	Color Code
1	BLK	5	YEL	9	GRY
2	BRN	6	GRN	10	WHT
3	RED	7	BLU	11	PINK
4	ORN	8	PURPLE	12	AZURY

Options

- Specified connectors and Heat-shrink tube.
- Longer lead lengths available.
- Shielded cables
- Connectors

Application

Typical Application

- CCTV Monitoring System.
- Electrical test equipment.
- Medical equipment.
- Rotary table
- Robotics
- Laboratory equipmen
- Manufacturing and process control equipment
- and so on...
- if you want to use this series slip ring on your mechanism, pls contact us for more application:technical@moflon.com

Can't find what i want?

If you don't see what you want in MSDI standard series – let us know; we may already have it designed or we will modify a design to meet your requirements. In many cases, 1XHD-SDI could mixed with 10A current, 20A current and signal wires.

For a detailed outline drawing of a specific model number, or to request a quotation, please contact your local sales representative (see our website <http://www.moflon.com/contact.html>) or send an email to sales@moflon.com

MSDI224 Slip Rings

MSDI224 slip rings are HD-SDI small and compact slip rings, with OD Φ 32.8mm*L 62.8mm, standard, off-the-shelf, available in stock.

Specially designed for 1080P video transmitting.

Used RG-179,75 ohms, Frequency rate can reach up to DC-2.3GHz.

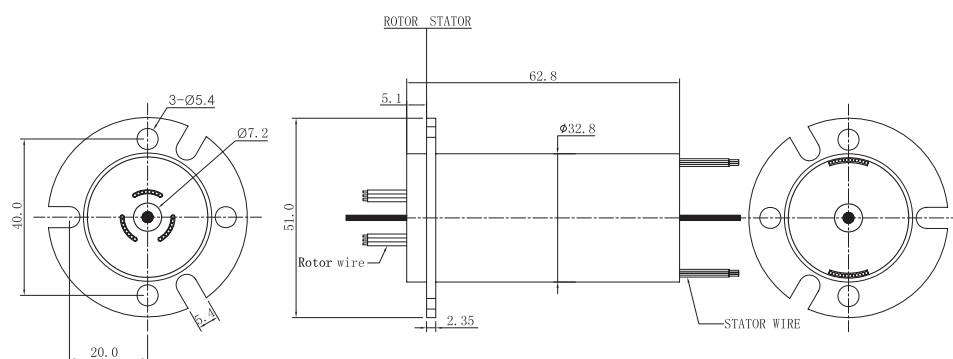


Specifications

PART #	OD*L	HD-SDI	2A/SIGNAL
MSDI224	Φ 32.8mm*L 62.8mm	1	24
RF Rotary Joint Specifications			
Frequency rate	DC-2.3GHz	Insertion loss	0.65 dB /1GHz Max
Insertion loss typical	+/-0.05dB	Return loss	-18 dB / 1GHz Max
In put out put	RG -179/U	Max speed	150RPM
Voltage standing wave ratio	VSWR \leq 1.3	wave ratio typical	+/-0.05
Working life	200million revolutions	Connector types	BNC / F
Impedance	75 ohms	Rating Current	DC 1A Max
Electrical Specifications			
Rating voltage	240 VDC/VAC	Contact material	Precious Metal:Gold-Gold
Dielectric strength	600VDC@50Hz	Lead Wire	UL Teflon@ Awg28
Insulation resistance	1000M Ω @500VDC	Lead Lengths	250mm
Operating Temp.	-40°C to 80°C	Protection	IP51
Mechanical vibratio	MIL-SID-810E	Humidity	10% to 90% RH
Materials	Lead Free,RoHS compliant	CE Certified	YES

Drawings

Standard drawings:



Lead wire Color codes

Rings#	Color Code	Rings#	Color Code	Rings#	Color Code
1	BLK	5	YEL	9	GRY
2	BRN	6	GRN	10	WHT
3	RED	7	BLU	11	PINK
4	ORN	8	PURPLE	12	AZURY

Options

- Specified connectors and Heat-shrink tube.
- Longer lead lengths available.
- Shielded cables
- Connectors

Application

Typical Application

- CCTV Monitoring System.
- Electrical test equipment.
- Medical equipment.
- Rotary table
- Robotics
- Laboratory equipmen
- Manufacturing and process control equipment
- and so on...
- if you want to use this series slip ring on your mechanism, pls contact us for more application:technical@moflon.com

Can't find what i want?

If you don't see what you want in MSDI standard series – let us know; we may already have it designed or we will modify a design to meet your requirements. In many cases,1XHD-SDI could mixed with 10A current,20A current and signal wires.

For a detailed outline drawing of a specific model number, or to request a quotation, please contact your local sales representative (see our website <http://www.moflon.com/contact.html>) or send an email to sales@moflon.com

MSDI230 Slip Rings

MSDI230 slip rings are HD-SDI small and compact slip rings, with OD Φ 32.8mm*L82mm, standard, off-the-shelf, available in stock.

Specially designed for 1080P video transmitting.

Used RG-179,75 ohms, Frequency rate can reach up to DC-2.3GHz.

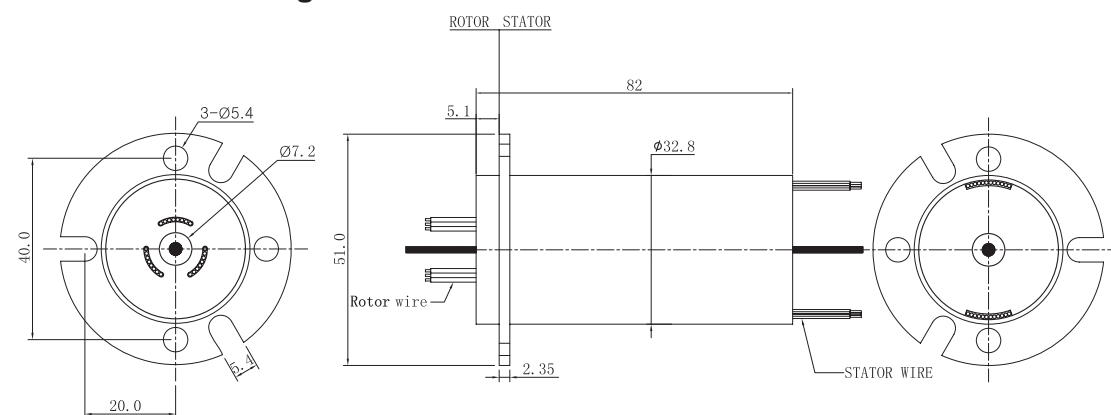


Specifications

PART #	OD*L	HD-SDI	2A/SIGNAL
MSDI230	Φ 32.8mm*L 82mm	1	30
RF Rotary Joint Specifications			
Frequency rate	DC-2.3GHz	Insertion loss	0.65 dB /1GHz Max
Insertion loss typical	+/-0.05dB	Return loss	-18 dB / 1GHz Max
In put out put	RG -179/U	Max speed	150RPM
Voltage standing wave ratio	VSWR \leq 1.3	wave ratio typical	+/-0.05
Working life	200million revolutions	Connector types	BNC / F
Impedance	75 ohms	Rating Current	DC 1A Max
Electrical Specifications			
Rating voltage	240 VDC/VAC	Contact material	Precious Metal:Gold-Gold
Dielectric strength	600VDC@50Hz	Lead Wire	UL Teflon@ Awg28
Insulation resistance	1000M Ω @500VDC	Lead Lengths	250mm
Operating Temp.	-40°C to 80°C	Protection	IP51
Mechanical vibratio	MIL-SID-810E	Humidity	10% to 90% RH
Materials	Lead Free,RoHS compliant	CE Certified	YES

Drawings

Standard drawings:



Lead wire Color codes

Rings#	Color Code	Rings#	Color Code	Rings#	Color Code
1	BLK	5	YEL	9	GRY
2	BRN	6	GRN	10	WHT
3	RED	7	BLU	11	PINK
4	ORN	8	PURPLE	12	AZURY

Options

- Specified connectors and Heat-shrink tube.
- Longer lead lengths available.
- Shielded cables
- Connectors

Application

Typical Application

- CCTV Monitoring System.
- Electrical test equipment.
- Medical equipment.
- Rotary table
- Robotics
- Laboratory equipmen
- Manufacturing and process control equipment
- and so on...
- if you want to use this series slip ring on your mechanism, pls contact us for more application:technical@moflon.com

Can't find what i want?
If you don't see what you want in MSDI standard series – let us know;
we may already have it designed or we will modify a design to meet your requirements.
In many cases, 1XHD-SDI could mixed with 10A current, 20A current and signal wires.

For a detailed outline drawing of a specific model number, or to request a quotation,
please contact your local sales representative
(see our website <http://www.moflon.com/contact.html>)
or send an email to sales@moflon.com