

**850nm 50mw Single Mode laser diodes**
**850nm SM LD with TO18 5.6mm**

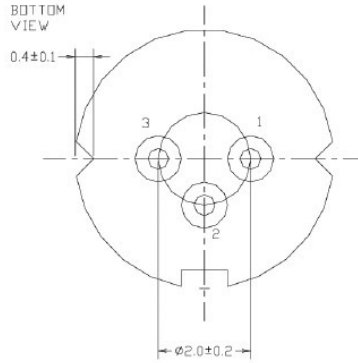
WSLD-850-050m-1-PD

Wavespectrum laser inc.

[www.wavespectrum-laser.com](http://www.wavespectrum-laser.com)

850nm Laser Diode 50mw/PD		Wavespectrum Laser, Inc		
Reverse Voltage	$V_r$	3.5	V	
Operating Temperature	$T_{op}$	-10~+40	°C	
Storage Temperature	$T_{stg}$	-15 ~ +85	°C	
Lead soldering temperature (10 sec.)	$T_{is}$	260	°C	
<b>Features:</b> <ul style="list-style-type: none"> <li>● 850nm</li> <li>● CW</li> <li>● Built-in PD</li> <li>● TO18 package</li> </ul>				
<b>Applications:</b> <ul style="list-style-type: none"> <li>● Medical laser treatment</li> <li>● Laser indicator</li> <li>● Laser detector</li> </ul>				
<b>Specifications</b>		<b>WSLD-850-050m-1-PD</b>		
		Min	Type	Max
Center Wavelength@25°C		830nm	840nm	850nm
Spectral Width (FWHM)		----	2.0nm	----
Output Power		----	50mw	----
Emitter		----	Single	----
Beam Divergence (FWHM)		22° <sub>⊥</sub> x 10° <sub>//</sub>	30° <sub>⊥</sub> x 15° <sub>//</sub>	38° <sub>⊥</sub> x 20° <sub>//</sub>
Monitor Current		----	0.1mA	----
PD Reverse Voltage		----	30V	----
PD Forward Current		----	----	----
Slope Efficiency		0.7mW/mA	0.9mW/mA	----
Threshold Current (Typ.)		----	28mA	35mA
Operating Current (Typ.)		----	85mA	110mA
Operating Voltage		1.5V	1.8V	2.1V
Package Style		TO18		



**TO18(5.6mm) Package View**


<b>1</b>	<b>LD(-)</b>
<b>2</b>	<b>LD(+) &amp; PD(-)</b>
<b>3</b>	<b>PD(+)</b>

Electrically shorten LD module and store in non-extreme conditions.  
 Suggest using the constant current power supply.

