

830nm 100mw Single Mode Laser Diode LD

830nm SM LD

WSLD-830-100m-1

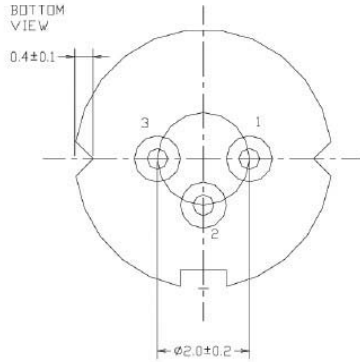
Wavespectrum laser inc.

www.wavespectrum-laser.com

830nm Laser Diode		100mw/SM LD		Wavespectrum Laser, Inc	
Reverse Voltage	V_r	2		V	
Operating Temperature	T_{op}	-10 ~ +70		°C	
Storage Temperature	T_{stg}	-40 ~ +80		°C	
Lead soldering temperature (10 sec.)	T_{is}	260		°C	
Features: <ul style="list-style-type: none"> 830nm Single Mode Laser Diode Built-in PD Optional TO18 package 					
Applications: <ul style="list-style-type: none"> Medical laser treatment Laser indicator Others 					
Specifications		WSLD-830-100m-1			
		Min	Type	Max	
Center Wavelength@25°C		820nm	830nm	835nm	
Spectral Width (FWHM)		----	1.5nm	2.0nm	
Output Power		----	100mW	----	
Emitter Size		----	4um*1.5um	----	
Beam Divergence (FWHM)		15°± x 7°//	20°± x 8°//	25°± x 9°//	
Monitor Current		----	0.5mA	----	
Slope Efficiency		1.0mW/mA	1.2mW/mA	----	
Threshold Current (Typ.)		----	45mA	50mA	
Operating Current (Typ.)		----	120mA	140mA	
Operating Voltage		----	2.4V	2.5V	
Package Style		TO18			
Built-in Photodiodes		Optional			



PIN Bottom View:



1	LD(-)
2	LD(+)
3	None

With Built-in Photodiodes:

1	LD(-)
2	LD(+)&PD(-)
3	PD(+)

Electrically shorten LD module and store in non-extreme conditions.
Suggest using the constant current power supply.



Please contact us:

Website: www.wavespectrum-laser.com (for more detailed information)

Email: info@wavespectrum-laser.com (for inquiry about this product)

