

## 808nm 100mw SM laser diodes | Built-in PD

### 808nm~810nm Single Mode LD with TO18 5.6mm Package

WSLD-808-100m-1-PD

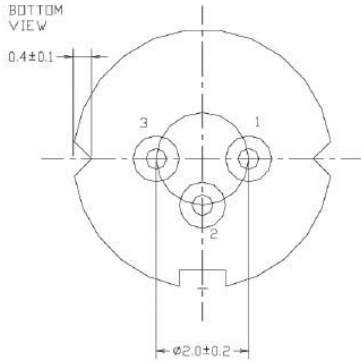
Wavespectrum laser inc.

[www.wavespectrum-laser.com](http://www.wavespectrum-laser.com)

808nm Laser Diode		SM	100mw	Wavespectrum Laser, Inc	
Reverse Voltage	$V_r$	2.0		V	
Operating Temperature	$T_{op}$	-10~+60		°C	
Storage Temperature	$T_{stg}$	-40 ~ +80		°C	
Lead soldering temperature (10 sec.)	$T_{is}$	260		°C	
<b>Features:</b> <ul style="list-style-type: none"> <li>808nm</li> <li>TO18 package</li> <li>Single Mode Beam</li> <li>Built-in PD</li> </ul>					
<b>Applications:</b> <ul style="list-style-type: none"> <li>Medical laser treatment</li> <li>Laser indicator</li> <li>Others</li> </ul>					
<b>Specifications</b>		<b>WSLD-808-100m-1-PD</b>			
		Min	Type	Max	
Center Wavelength@25°C		800nm	808nm	815nm	
Spectral Width (FWHM)		1nm	1.5nm	2.5nm	
Output Power		----	100mw	----	
Emitter Size		----	3*1.5um	----	
Beam Divergence (FWHM)		14°± x 7°//	16°± x 8°//	18°± x 9°//	
Monitor Current		0.1mA	0.35mA	0.5mA	
Slope Efficiency		0.90mW/mA	0.95mW/mA	1.30mW/mA	
Threshold Current (Typ.)		----	15mA	25mA	
Operating Current (Typ.)		----	145mA	160mA	
Operating Voltage		----	2.2V	2.5V	
Package Style		TO18			



**TO18(5.6mm) Package View**



<b>1</b>	<b>LD(-)</b>
<b>2</b>	<b>LD (+) PD (-)</b>
<b>3</b>	<b>PD(+)</b>

Electrically shorten LD module and store in non-extreme conditions.  
Suggest using the constant current power supply.



**Please contact us:**

**Website:** [www.wavespectrum-laser.com](http://www.wavespectrum-laser.com) (for more detailed information)

**Email:** [info@wavespectrum-laser.com](mailto:info@wavespectrum-laser.com) (for inquiry about this product)

