

1550nm 20mW DFB laser diodes| TO18 5.6mm LD | Flat Window Optional
1550nm 20mW Single Mode LD | With Non-Spherical Lens | Built-in Photodiode

WSLD-1550-020m-1-PD

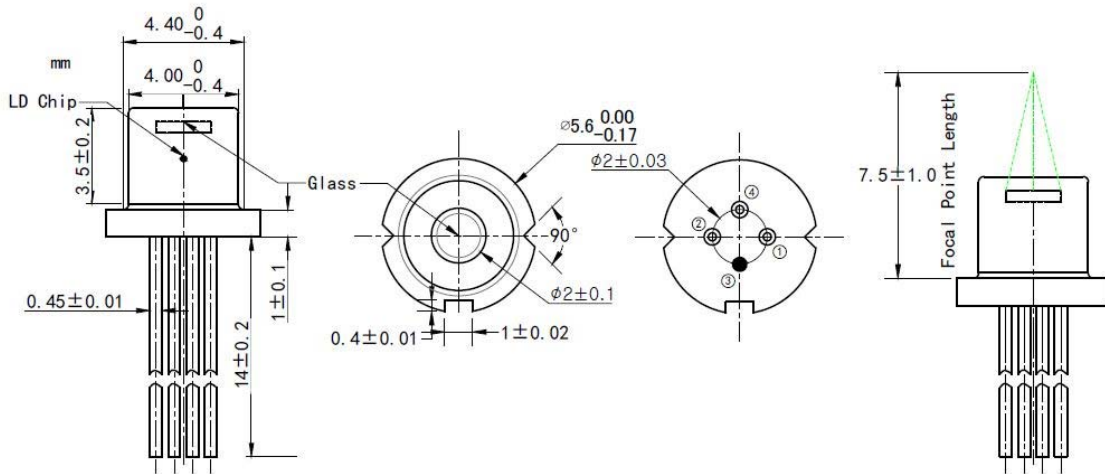
Wavespectrum laser Group

www.wavespectrum-laser.com

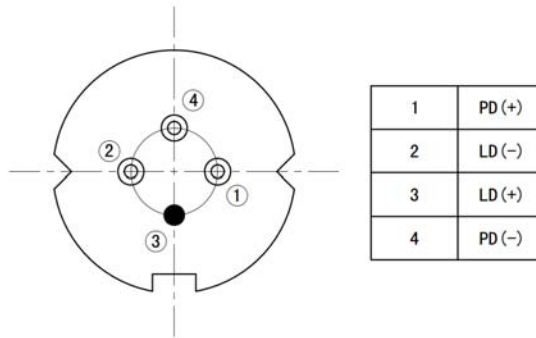
1550nm Laser Diode		20mw	single mode /DFB	Wavespectrum Laser Group
Reverse Voltage	V_r	2.0		V
Operating Temperature	T_{op}	-20 ~ +50		°C
Storage Temperature	T_{stg}	-40 ~ +85		°C
Lead soldering temperature (10 sec.)	T_{is}	260		°C
Features: <ul style="list-style-type: none"> ● 1550nm ● Built-in PD ● DFB ● Single Mode ● TO18 package 				
Applications: <ul style="list-style-type: none"> ● Optical Fiber Communication ● Free-space Optical Communication 				
Specifications		WSLD-1550-020m-1-PD		
Center Wavelength@25°C		1550+/-5nm		
Spectral Width (FWHM)		0.3nm		
Output Power		20mw		
Recommend Operating Temperature		25°C		
Laser Type		DFB		
Reverse current (PD) I_{rp}		2mA		
Reverse voltage (PD) V_{rp}		20V		
Beam Divergence (FWHM)		$20^\circ \pm \times 9^\circ //$		
Threshold Current (Typ.)		10mA		
Operating Current (Typ.)		90mA		
Operating Voltage		1.3V		
Package Style		TO18		
Window Type		Flat Window (Optional)		
		Non-Spherical-Lens Window (standard)		



Package View



PIN Bottom View:



Electrically shorten LD module and store in non-extreme conditions.
Suggest using the constant current power supply.

