


780nm~785nm 150mw Single Mode LD| SM Laser Diode|5.6mm TO18 Package

785nm SM Laser Diodes |Single Mode LD|150mw Power

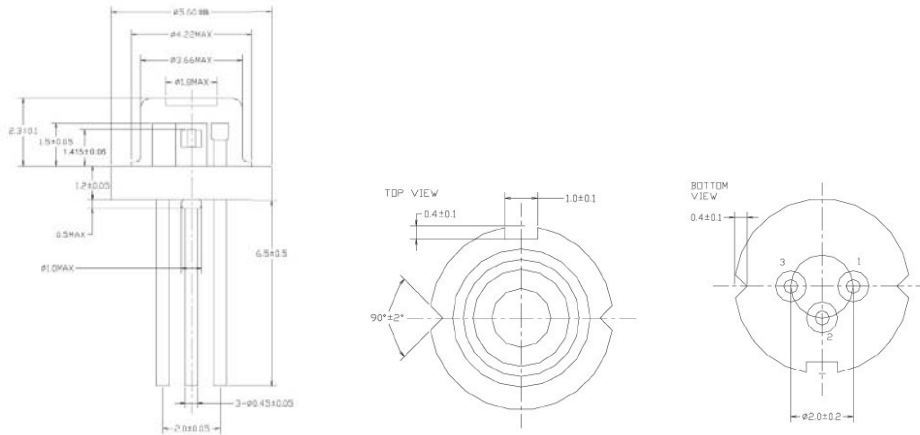
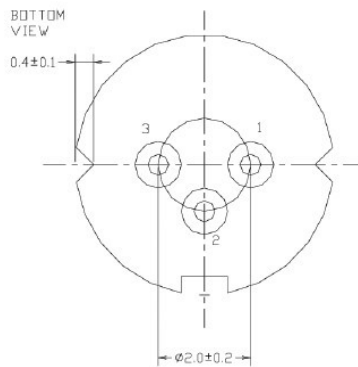
WSLD-785-150m-1

Wavespectrum laser inc.

www.wavespectrum-laser.com

785nm Laser Diode		150mw	Wavespectrum Laser, Inc	
Reverse Voltage	V_r	2.0	V	
Operating Temperature	T_{op}	-10~+50	°C	
Storage Temperature	T_{stg}	-40 ~ +85	°C	
Lead soldering temperature (10 sec.)	T_{is}	280	°C	
Features: <ul style="list-style-type: none"> ● 785nm ● Single Mode ● AR Coating ● TO18 package 				
Applications: <ul style="list-style-type: none"> ● Medical laser treatment ● Laser indicator ● Laser detector 				
Specifications		WSLD-785-150m-1		
		Min	Type	Max
Center Wavelength@25°C		775nm	785nm	795nm
Spectral Width (FWHM)		2.0nm		
Output Power		150mw		
Emitter		Single		
Beam Divergence (FWHM)		$15^\circ \perp \times 8^\circ //$		
Monitor Current		0.5mA		
PD Reverse Voltage		30V		
PD Forward Current		10mA		
Slope Efficiency		1.1mW/mA		
Threshold Current (Typ.)		35mA		
Operating Current (Typ.)		180mA		
Operating Voltage		2.0V		
Package Style		TO18		



TO18(5.6mm) Package View

PIN Bottom View:


1	NC
2	LD(-)&Case
3	LD(+)

Electrically shorten LD module and store in non-extreme conditions.
 Suggest using the constant current power supply.

