


445nm~450nm 50mw Laser Diode| Single mode LD| Blue Laser diode

450nm SM LD| 50mw Power|3.8mm Package

WSLD-445-050m-1

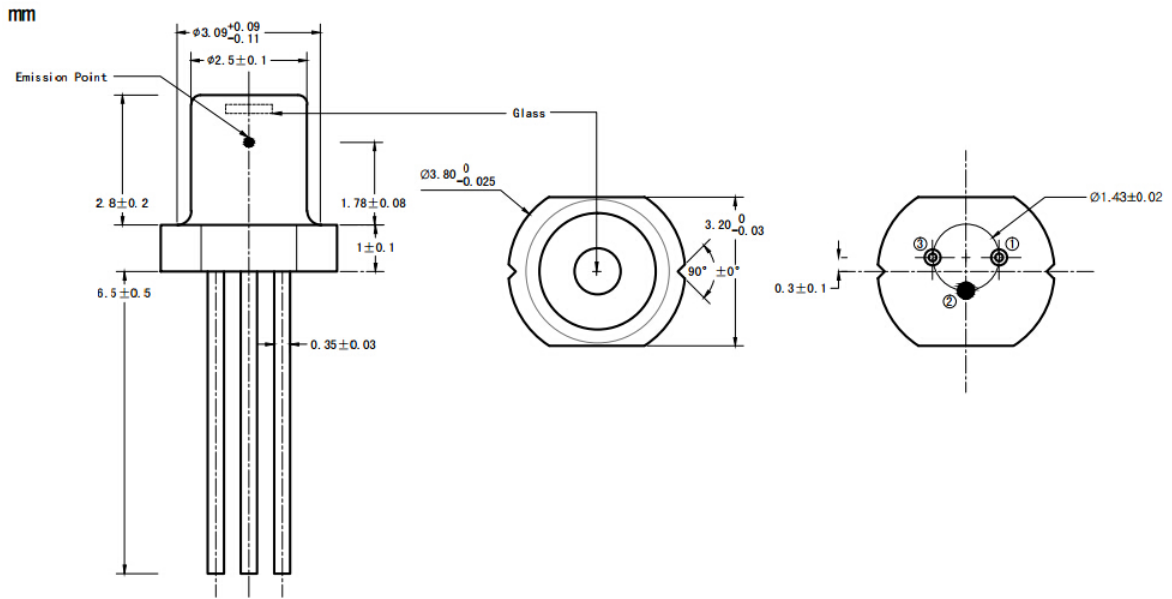
Wavespectrum Laser Group.

[www.wavespectrum-laser.com](http://www.wavespectrum-laser.com)

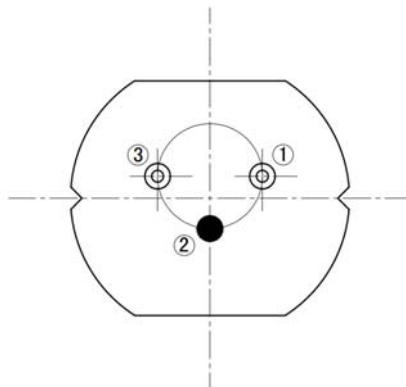
445nm Laser Diode		50mw		Wavespectrum Laser Group	
PARAMETER	SYMBOL	VALUE		UNIT	
Reverse Voltage	$V_r$	2.0		V	
Operating Temperature	$T_{op}$	+10 ~ +70		°C	
Storage Temperature	$T_{stg}$	-40 ~ +85		°C	
Lead soldering temperature (10 sec.)	$T_{is}$	260		°C	
<b>Features:</b> <ul style="list-style-type: none"> <li>● 445nm</li> <li>● 50mW</li> <li>● Single Mode Beam</li> <li>● 3.8mm package</li> </ul>					
<b>Applications:</b> <ul style="list-style-type: none"> <li>● Medical laser treatment</li> <li>● Laser indicator</li> <li>● Laser detector</li> </ul>					
<b>Specifications</b>		<b>WSLD-445-050m-1</b>			
		Min	Type	Max	
Center Wavelength@25°C		440nm	445nm	460nm	
Spectral Width (FWHM)		2.0nm			
Output Power		----	50mW	----	
Emitter		Single			
Beam Divergence (FWHM)		$15^\circ \pm x 4^\circ //$	$21^\circ \pm x 7^\circ //$	$25^\circ \pm x 15^\circ //$	
Monitor Current		----			
Slope Efficiency		0.85mW/mA	0.9mW/mA	1.2mW/mA	
Threshold Current (Typ.)		----	30mA	60mA	
Operating Current (Typ.)		----	100mA	120mA	
Operating Voltage		----	5.5V	6.5V	
Package Style		3.8mm			



### Package View



### PIN Bottom View:



1	LD(+)
2	GND
3	LD(-)

Electrically shorten LD module and store in non-extreme conditions.  
Suggest using the constant current power supply.



Wavespectrum Laser Group  
[www.wavespectrum-laser.com](http://www.wavespectrum-laser.com)  
[sales@wavespectrum-laser.com](mailto:sales@wavespectrum-laser.com)

