


405nm 150mw Single Mode Laser Diode | SM LD |Violet LD |5.6mm Package

405nm LD |150mw Power|TO18 Package

WSLD-405-150m-1

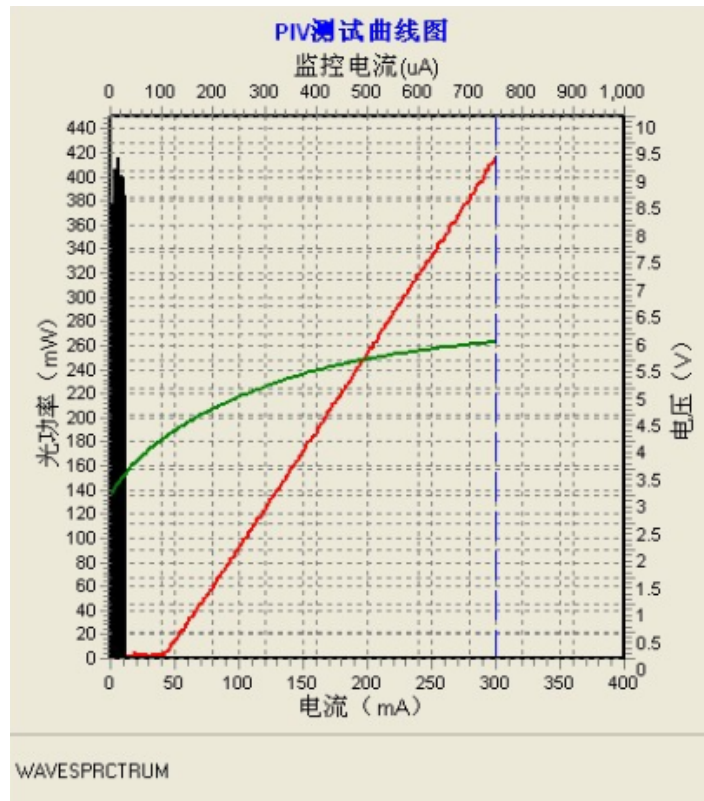
Wavespectrum Laser Group

www.wavespectrum-laser.com

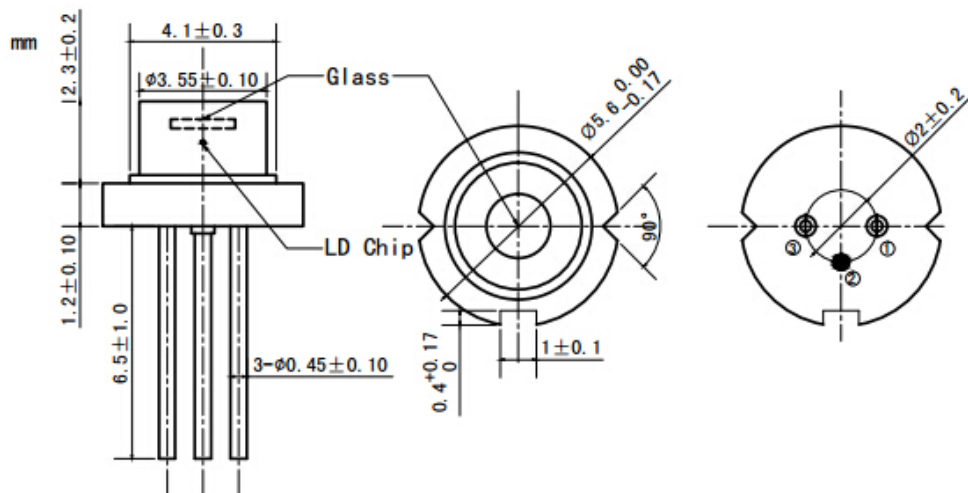
| 405nm Laser Diode  |   | Wavespectrum Laser Group      |                              |
|--|---|-------------------------------|------------------------------|
| PARAMETER  | SYMBOL  | VALUE                         | UNIT                         |
| Reverse Voltage  | $V_r$   | 5.0                           | V                            |
| Operating Temperature  | $T_{op}$  | 0 ~ +70                       | °C                           |
| Storage Temperature  | $T_{stg}$   | -40 ~ +85                     | °C                           |
| Lead soldering temperature (10 sec.)   | $T_{is}$  | 260                           | °C                           |
| <b>Features:</b> <ul style="list-style-type: none"> <li>● 405nm</li> <li>● Single Mode Beam</li> <li>● TO18 Package</li> </ul>         |  |                               |                              |
| <b>Applications:</b> <ul style="list-style-type: none"> <li>● Medical Laser Treatment</li> <li>● Printing</li> <li>● Others</li> </ul> |   |                               |                              |
| <b>Specifications</b>  | <b>WSLD-405-150m-1</b>  |                               |                              |
|  | Min   | Type                          | Max                          |
| Center Wavelength@25°C   | 400nm   | 405nm                         | 410nm                        |
| Spectral Width (FWHM)  | 2.0nm   |                               |                              |
| Output Power   | ----  | 150mW                         | ----                         |
| Emitter Area   | -----   |                               |                              |
| Beam Divergence (FWHM)   | $15^\circ \pm x 7^\circ //$   | $19.5^\circ \pm x 9^\circ //$ | $24^\circ \pm x 12^\circ //$ |
| Slope Efficiency   | 1.2mW/mA  | 1.5mW/mA                      | 1.9mW/mA                     |
| Threshold Current (Typ.)   | ----  | 40mA                          | 60mA                         |
| Operating Current (Typ.)   | ----  | 150mA                         | 170mA                        |
| Operating Voltage  | ----  | 5.0V                          | 6.0V                         |
| Package Style  | TO18(5.6mm)   |                               |                              |



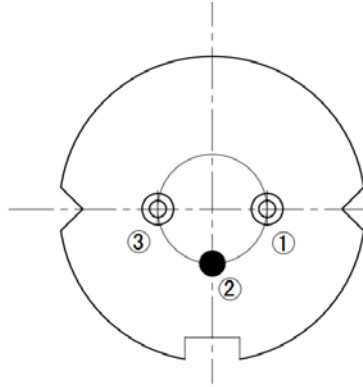
### PVI Curve



### TO18 Package View



**PIN Bottom View:**



|          |              |
|----------|--------------|
| <b>1</b> | <b>LD(+)</b> |
| <b>2</b> | <b>GND</b>   |
| <b>3</b> | <b>LD(-)</b> |

Electrically shorten LD module and store in non-extreme conditions.  
 Suggest using the constant current power supply.

