

685nm~690nm 30mw Single Mode Laser Diode (LD)

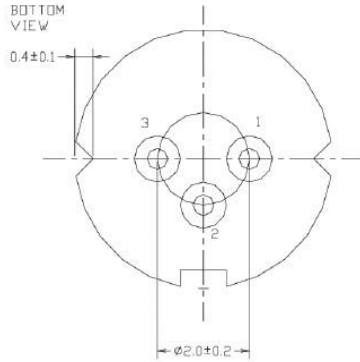
685nm SM LD|30mw power|5.6mm package |Built-in PD

WSLD-685-030m-1-PD Wavespectrum Laser, inc. www.wavespectrum-laser.com

685nm Laser Diode SM 30mw		Wavespectrum Laser, Inc		
PARAMETER	SYMBOL	VALUE	UNIT	
Reverse Voltage	V_r	2.0	V	
Operating Temperature	T_{op}	-15 ~ +60	°C	
Storage Temperature	T_{stg}	-40 ~ +85	°C	
Lead soldering temperature (10 sec.)	T_{is}	260	°C	
Features: <ul style="list-style-type: none"> • 685nm • CW • Built-in PD • Single Mode • TO18 package 				
Applications: <ul style="list-style-type: none"> • Medical laser treatment • Laser indicator • Laser detector 				
Specifications		WSLD-685-030m-1-PD		
		Min	Type	Max
Center Wavelength@25°C		675nm	685nm	698nm
Recommend Operating Temperature		25°C		
Output Power		----	30mw	----
Emitter		----	Single	----
Beam Divergence (FWHM)		15° \perp x 7° \parallel	19° \perp x 9° \parallel	24° \perp x 13° \parallel
Monitor Current		0.05mA	0.18mA	2.6mA
PD Reverse Voltage		----	30V	----
PD Forward Current		----	----	----
Slope Efficiency		0.5mW/mA	0.8mW/mA	----
Threshold Current (Typ.)		----	30mA	60mA
Operating Current (Typ.)		----	80mA	140mA
Operating Voltage		----	2.3V	2.9V
Package Style		TO18		



TO18(5.6mm) Package View



1	LD(-)
2	LD (+) PD (-)
3	PD(+)

Electrically shorten LD module and store in non-extreme conditions.

Suggest using the constant current power supply.

