

808nm 200mw Single Mode Laser Diodes | Built-in PD

808nm~810nm SM LD with TO18 5.6mm Package | 200mW Output Power

WSLD-808-200m-1-PD

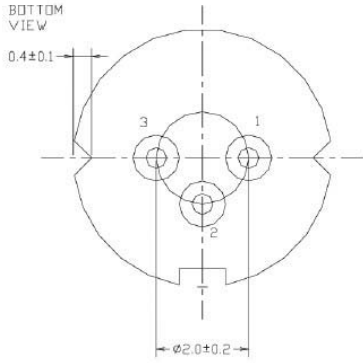
Wavespectrum Laser Group

www.wavespectrum-laser.com

808nm Laser Diode		SM	200mw	Wavespectrum Laser Group	
Reverse Voltage	V_r	2.0		V	
Operating Temperature	T_{op}	-10~+70		°C	
Storage Temperature	T_{stg}	-40 ~ +80		°C	
Lead soldering temperature (10 sec.)	T_{is}	260		°C	
Features: <ul style="list-style-type: none"> 808nm TO18 Package Single Mode Beam Built-in PD 					
Applications: <ul style="list-style-type: none"> Medical laser treatment Laser indicator Others 					
Specifications		WSLD-808-200m-1-PD			
		Min	Type	Max	
Center Wavelength@25°C		800nm	808nm	815nm	
Spectral Width (FWHM)		1nm	1.5nm	2.5nm	
Output Power		----	200mw	----	
Emitter Size		----	3*1.5um	----	
Beam Divergence (FWHM)		12°± x 6°//	16°± x 8°//	20°± x 10°//	
Monitor Current		0.15mA	0.5mA	0.9mA	
Slope Efficiency		0.8mW/mA	1.1mW/mA	1.3mW/mA	
Threshold Current (Typ.)		----	50mA	70mA	
Operating Current (Typ.)		----	230mA	260mA	
Operating Voltage		----	2.0V	2.4V	
Package Style		TO18			
Photodiodes		Optional			



TO18(5.6mm) Package View



1	LD(-)
2	LD (+) PD (-)
3	PD(+)

Electrically shorten LD module and store in non-extreme conditions.
 Suggest using the constant current power supply.



Wavespectrum Laser, Inc.
www.wavespectrum-laser.com
wavespectrumlaser@gmail.com

