

780nm~785nm 200mw Single Mode LD| SM Laser Diode|5.6mm TO18 Package

785nm SM Laser Diodes |Single Mode LD|200mw Power | Built-in PD

WSLD-785-200m-1-PD

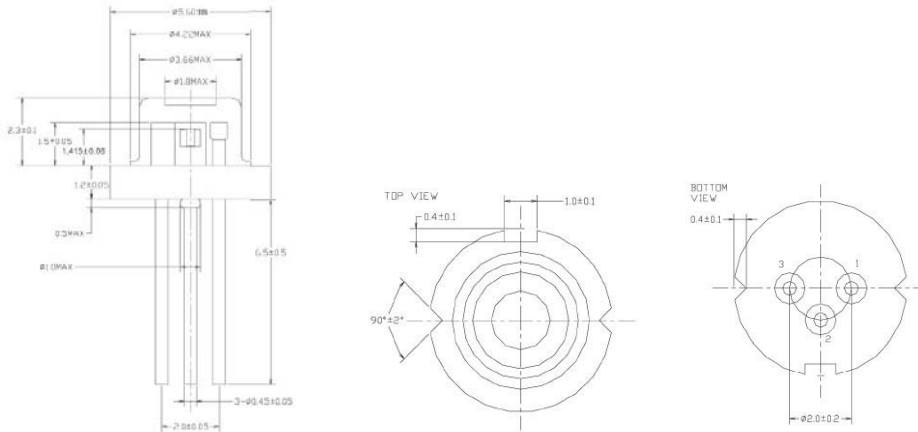
Wavespectrum Laser Group

www.wavespectrum-laser.com

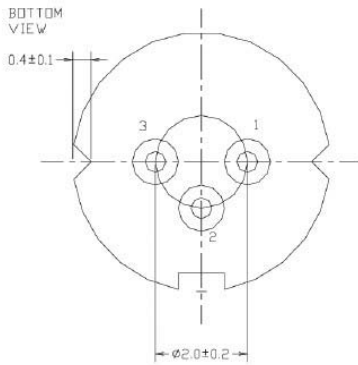
785nm Laser Diode		200mw		Wavespectrum Laser, Inc	
PARAMETER	SYMBOL	VALUE	UNIT		
Reverse Voltage	V_r	2.0	V		
Operating Temperature	T_{op}	-10~+50	°C		
Storage Temperature	T_{stg}	-40 ~ +85	°C		
Lead soldering temperature (10 sec.)	T_{is}	280	°C		
Features: <ul style="list-style-type: none"> 785nm Single Mode Photodiode Optional TO18 Package 					
Applications: <ul style="list-style-type: none"> Medical laser treatment Laser indicator Others 					
Specifications		WSLD-785-200m-1-PD			
		Min	Type	Max	
Center Wavelength@25°C		775nm	785nm	795nm	
Spectral Width (FWHM)		----	1.5nm	2.0nm	
Output Power		----	200mw	----	
Emitter		----	3um*1.5um	----	
Beam Divergence (FWHM)		15°± x 7°//	19°± x 9°//	25°± x 12°//	
Monitor Current		----	----	----	
PD Reverse Voltage		----	----	----	
PD Forward Current		----	----	----	
Slope Efficiency		0.9mW/mA	1.0mW/mA	1.1mW/mA	
Threshold Current (Typ.)		30mA	40mA	-----	
Operating Current (Typ.)		----	220mA	240mA	
Operating Voltage		-----	2.2V	2.2V	
Package Style		TO18			



TO18(5.6mm) Package View



PIN Bottom View:



1	LD(-)
2	LD(+)
3	NC or PD(+)

Electrically shorten LD module and store in non-extreme conditions.
Suggest using the constant current power supply.



Wavespectrum Laser, Inc.
www.wavespectrum-laser.com
wavespectrumlaser@gmail.com

