


650nm~660nm 100mW~130mW Single Mode Laser Diode| SM LD

650nm 5.6mm TO18 Package|130mW| Red Laser Diode

WSLD-650-130m-1

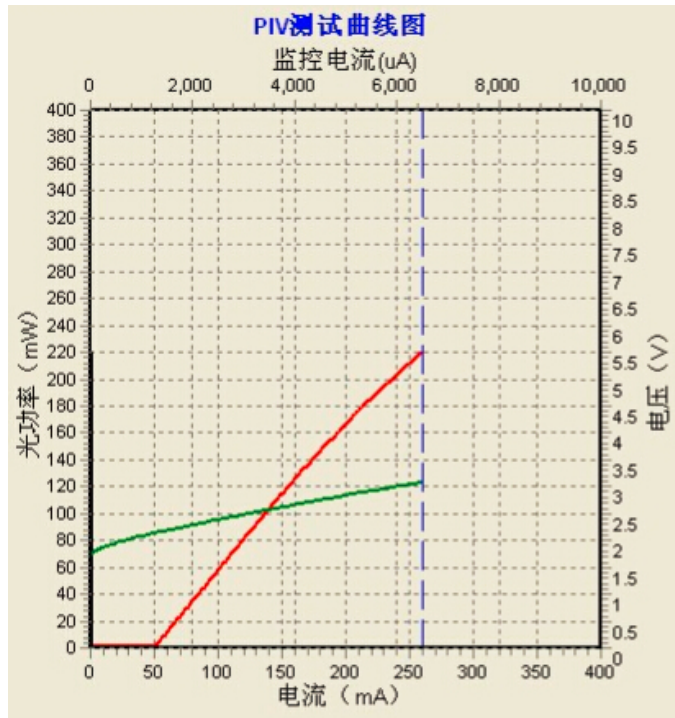
Wavespectrum Laser Group

www.wavespectrum-laser.com

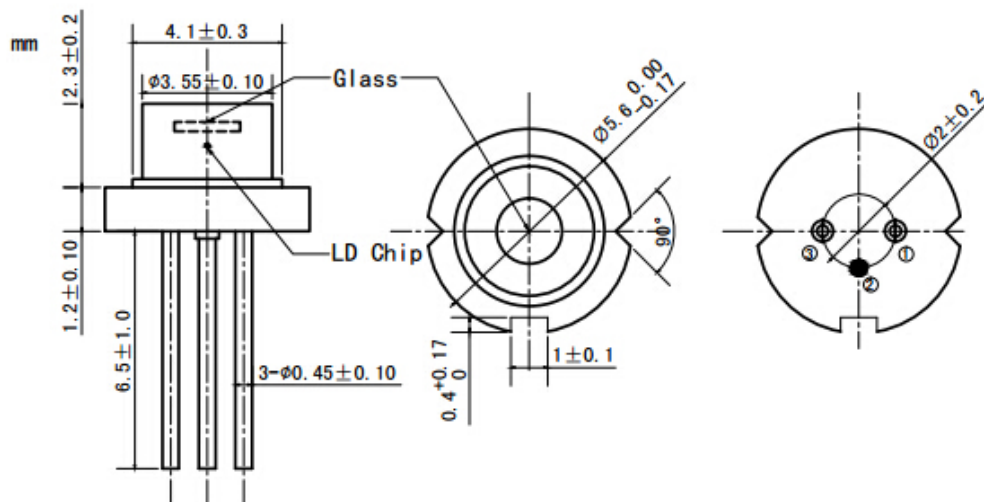
650nm Laser Diode		130mw		Wavespectrum Laser Group	
PARAMETER	SYMBOL	VALUE		UNIT	
Reverse Voltage	V_r	2.0		V	
Operating Temperature	T_{op}	-10~+60		°C	
Storage Temperature	T_{stg}	-40~+85		°C	
Lead soldering temperature (10 sec.)	T_{is}	260		°C	
Features: <ul style="list-style-type: none"> 650nm Single Mode TO18 package 					
Applications: <ul style="list-style-type: none"> Medical laser treatment Laser indicator 					
Specifications		WSLD-650-130m-1			
		Min	Type	Max	
Center Wavelength@25°C		650nm	658nm	665nm	
Spectral Width (FWHM)		2.0nm			
Output Power		----	100mW	130mW	
Emitter		Single			
Beam Divergence (FWHM)		----	$11^\circ_{\perp} \times 17^\circ_{//}$	----	
Monitor Current		----			
PD Reverse Voltage		----			
PD Forward Current		----			
Slope Efficiency		----	1.1mW/mA	----	
Threshold Current (Typ.)		----	50mA	70mA	
Operating Current (Typ.)		----	150mA	200mA	
Operating Voltage		----	2.6V	3.0V	
Package Style		TO18 (5.6mm)			



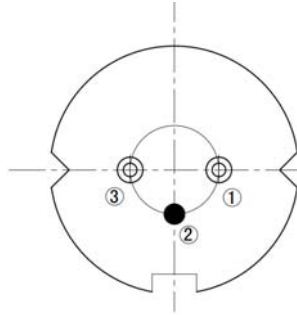
PVI Curve



T018(5.6mm) Package View



PIN Bottom View:



1	LD(+)
2	LD(-)
3	NC

Electrically shorten LD module and store in non-extreme conditions.
 Suggest using the constant current power supply.

