

405nm 200mw SM Laser Diode| Single mode LD

405nm SM LD| 200mw Power|3.8mm Package

WSLD-405-200m-1

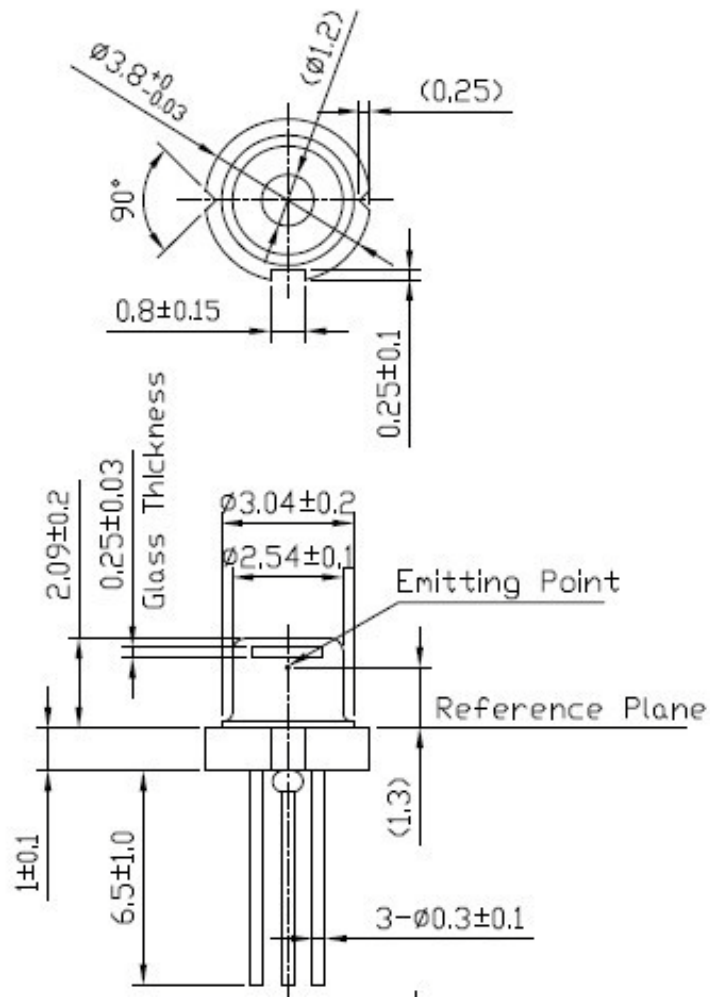
Wavespectrum Laser, Inc.

www.wavespectrum-laser.com

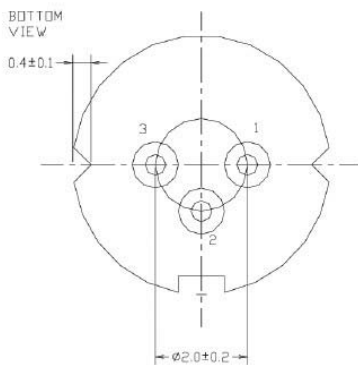
405nm Laser Diode		200mw		Wavespectrum Laser, Inc	
PARAMETER	SYMBOL	VALUE		UNIT	
Reverse Voltage	$V_r$	2.0		V	
Operating Temperature	$T_{op}$	0 ~ +70		°C	
Storage Temperature	$T_{stg}$	-40 ~ +85		°C	
Lead soldering temperature (10 sec.)	$T_{is}$	260		°C	
<b>Features:</b> <ul style="list-style-type: none"> <li>405nm</li> <li>CW / Pulse</li> <li>Single mode beam</li> <li>3.8mm package</li> </ul>					
<b>Applications:</b> <ul style="list-style-type: none"> <li>Medical laser treatment</li> <li>Printing</li> <li>Others</li> </ul>					
<b>Specifications</b>		<b>WSLD-405-200m-1</b>			
		Min	Type	Max	
Center Wavelength@25°C		400nm	405nm	410nm	
Spectral Width (FWHM)		2.0nm			
Output Power (CW)		----	200mW	----	
Beam Type		Single Mode			
Beam Divergence (FWHM)		$15^\circ \pm x 7^\circ //$	$20^\circ \pm x 9^\circ //$	$24^\circ \pm x 12^\circ //$	
Recommended Operating Temperature		25 °C			
Slope Efficiency		1.0mW/mA	1.3mW/mA	1.9mW/mA	
Threshold Current (Typ.)		----	35mA	60mA	
Operating Current (Typ.)		----	180mA	200mA	
Operating Voltage		4.2V	4.6V	5.5V	
Package Style		3.8mm			
Output Power (Pulse Mode)		400mW			
		Pulse Mode Condition : Width 30ns Duty 50%			



Drawing



PIN Bottom View:



1	LD(+)
2	GND
3	LD(-)



Electrically shorten LD module and store in non-extreme conditions.

Suggest using the constant current power supply.

