


635nm 15mw Single Mode SM Laser Diode | With Photodiode

635nm~638nm SM LD|15mw power|5.6mm package | Red Laser Diode With PD

WSLD-635-015m-1-PD

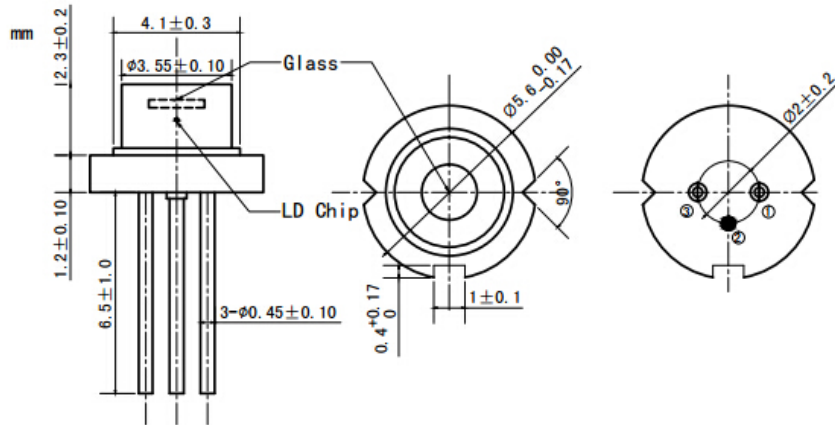
Wavespectrum Laser Group

www.wavespectrum-laser.com

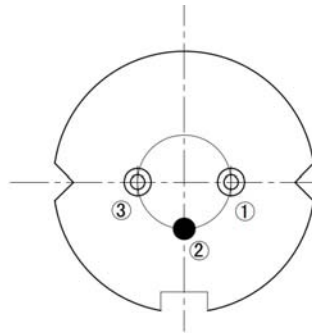
635nm Laser Diode SM 15mw		Wavespectrum Laser Group		
PARAMETER	SYMBOL	VALUE	UNIT	
Reverse Voltage	V_r	2.0	V	
Operating Temperature	T_{op}	-10~+50	°C	
Storage Temperature	T_{stg}	-40 ~ +85	°C	
Lead soldering temperature (10 sec.)	T_{is}	260	°C	
Features: <ul style="list-style-type: none"> 635nm CW Built-in PD Single Transverse Mode TO18 package 				
Applications: <ul style="list-style-type: none"> Medical laser treatment Laser indicator Laser detector 				
Specifications		WSLD-635-015m-1-PD		
		Min	Type	Max
Center Wavelength@25°C		630nm	635nm	640nm
Spectral Width (FWHM)		----	2.0nm	----
Output Power		----	15mw	----
Emitter		----	Single	----
Beam Divergence (FWHM)		30° \perp x 6° \parallel	33° \perp x 8° \parallel	40° \perp x 10° \parallel
Monitor Current		0.1mA	0.2mA	0.5mA
PD Reverse Voltage		----	30V	----
Threshold Current (Typ.)		----	35mA	40mA
Operating Current (Typ.)		----	70mA	80mA
Operating Voltage		----	2.3V	2.6V
Package Style		TO18		



Package View



Pin Out



1	LD(-)
2	LD(+) & PD(-)
3	PD(+)

Electrically shorten LD module and store in non-extreme conditions.

Suggest using the constant current power supply.

