

635nm 200mw Single Mode Laser Diode with TO18 Package| High Power Red LD

635nm~638nm 5.6mm Package|200mw| SM LD

WSLD-635-200m-1

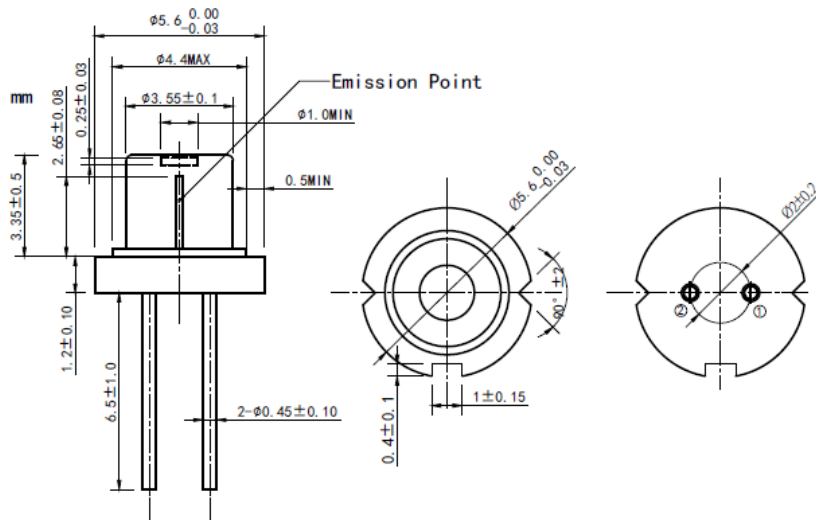
Wavespectrum Laser Group

www.wavespectrum-laser.com

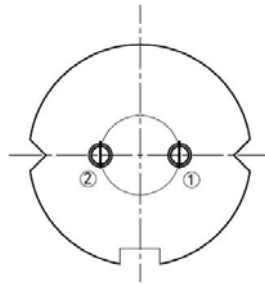
| 635nm Laser Diode | | 200mw | | Wavespectrum Laser Group | |
|---|-----------|---|------------------------------|------------------------------|--|
| PARAMETER | SYMBOL | VALUE | | UNIT | |
| Reverse Voltage | V_r | 2.0 | | V | |
| Operating Temperature | T_{op} | 0~+50 | | °C | |
| Storage Temperature | T_{stg} | -40~+85 | | °C | |
| Lead soldering temperature (10 sec.) | T_{is} | 260 | | °C | |
| Features: <ul style="list-style-type: none"> ● 635nm ● Single Mode Beam ● 5.6mm Package | |  | | | |
| Applications: <ul style="list-style-type: none"> ● Medical Laser Treatment ● Laser Indicator ● Others | | | | | |
| Specifications | | WSLD-635-200m-1 | | | |
| | | Min | Type | Max | |
| Center Wavelength@25°C | | 630nm | 638nm | 645nm | |
| Recommended Temperature | | 25 °C | | | |
| Output Power | | ---- | 180mW | 200mW | |
| Beam Mode | | Single Mode | | | |
| Beam Divergence (FWHM) | | $13^\circ \pm x 5^\circ //$ | $19^\circ \pm x 10^\circ //$ | $24^\circ \pm x 13^\circ //$ | |
| Monitor Current | | ---- | | | |
| PD Reverse Voltage | | ---- | | | |
| PD Forward Current | | ---- | | | |
| Slope Efficiency | | ---- | 1.1mW/mA | 1.3mW/mA | |
| Threshold Current (Typ.) | | ---- | 65mA | 85mA | |
| Operating Current (Typ.) | | ---- | 220mA | 250mA | |
| Operating Voltage | | ---- | 2.7V | 3.2V | |
| Package Style | | TO18 | | | |



TO18 (5.6mm) Package View



PIN Bottom View:



| | |
|---|-------|
| 1 | LD(+) |
| 2 | LD(-) |

Electrically shorten LD module and store in non-extreme conditions.

Suggest using the constant current power supply.

