

635nm 120mW~130mW Single Mode Laser Diode| SM LD

635nm~638nm 3.8mm Package|130mW| Red Laser Diode

WSLD-635-130m-1

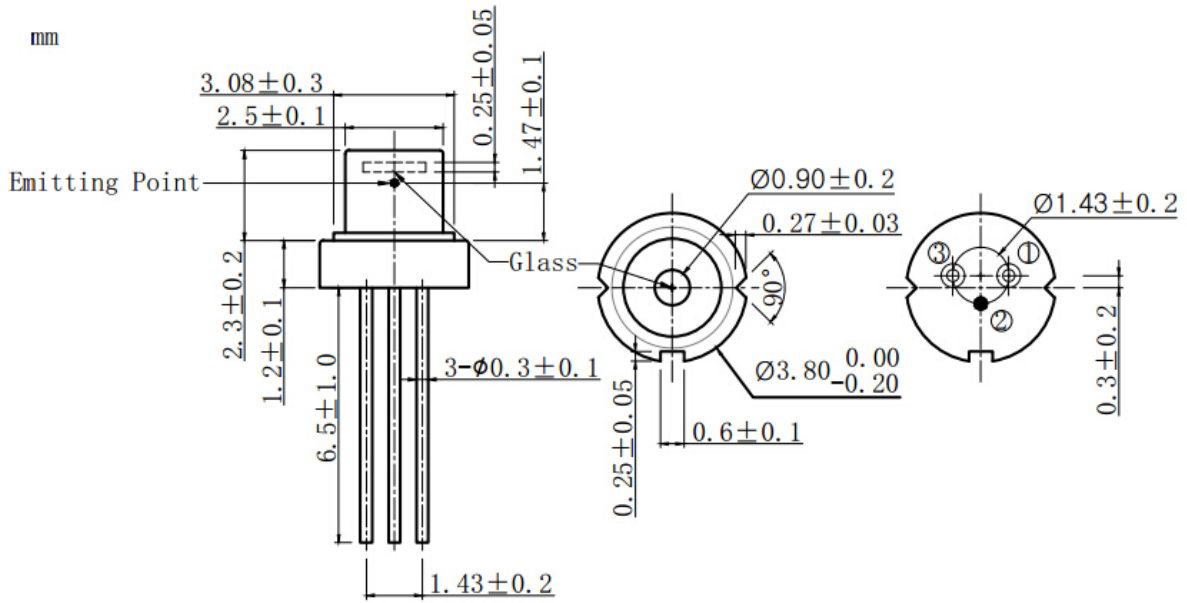
Wavespectrum Laser Group

www.wavespectrum-laser.com

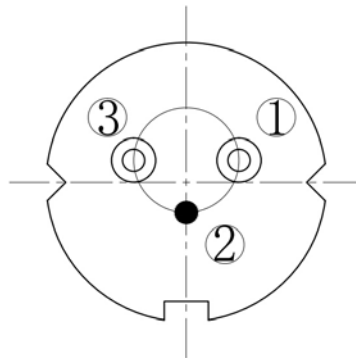
635nm Laser Diode		130mW		Wavespectrum Laser Group	
PARAMETER	SYMBOL	VALUE		UNIT	
Reverse Voltage	V_r	2.0		V	
Operating Temperature	T_{op}	-10~+55		°C	
Storage Temperature	T_{stg}	-40 ~+85		°C	
Lead soldering temperature (10 sec.)	T_{is}	260		°C	
Features: <ul style="list-style-type: none"> 635nm Single Mode Beam 3.8mm Package 					
Applications: <ul style="list-style-type: none"> Medical laser treatment Laser indicator Others 					
Specifications		WSLD-635-130m-1			
		Min	Type	Max	
Center Wavelength@25°C		630nm	638nm	645nm	
Recommended Temperature		25 °C			
Output Power		----	130mW	----	
Beam Mode		Single Mode			
Beam Divergence (FWHM)		$13^\circ \pm x 5^\circ //$	$18^\circ \pm x 8.5^\circ //$	$23^\circ \pm x 13^\circ //$	
Monitor Current		----			
PD Reverse Voltage		----			
PD Forward Current		----			
Slope Efficiency		----	1.1mW/mA	1.3mW/mA	
Threshold Current (Typ.)		----	50mA	70mA	
Operating Current (Typ.)		----	180mA	200mA	
Operating Voltage		----	2.7V	3.0V	
Package Style		3.8mm			



3.8mm Package View



PIN Bottom View:



1	LD(+)
2	GND
3	LD(-)

Electrically shorten LD module and store in non-extreme conditions.

Suggest using the constant current power supply.

