


515nm~520nm 50mW Laser Diode| Single mode Green LD | With Photodiode

520nm SM LD| 50mW Power| TO18 Package Green diode laser With PD

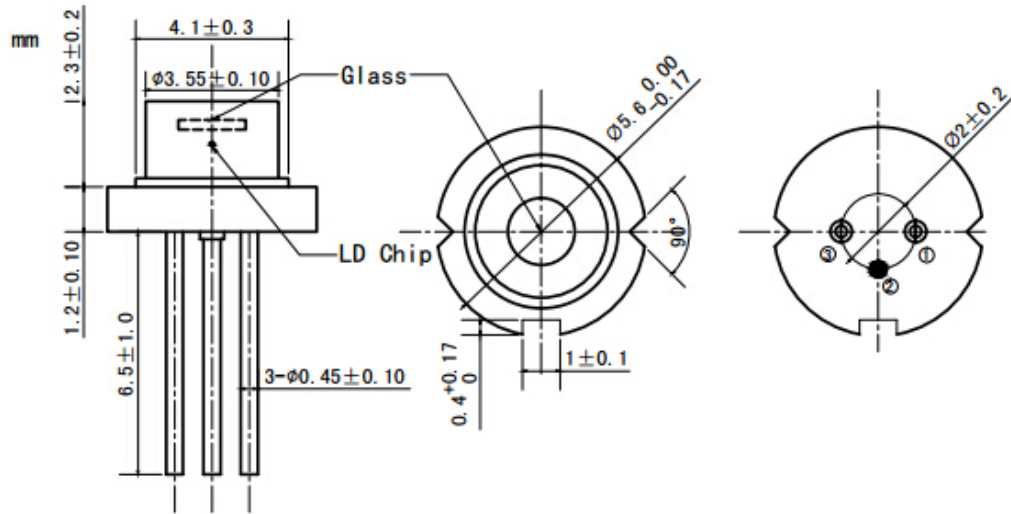
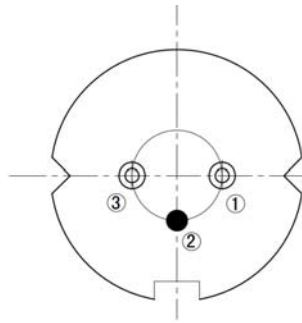
WSLD-520-050m-1-PD

Wavespectrum Laser Group.

www.wavespectrum-laser.com

520nm Laser Diode		50mW		Wavespectrum Laser Group	
PARAMETER	SYMBOL	VALUE	UNIT		
Reverse Voltage	V_r	2.0	V		
Operating Temperature	T_{op}	-20~+60	°C		
Storage Temperature	T_{stg}	-40~+85	°C		
Lead soldering temperature (10 sec.)	T_{is}	260	°C		
Features: <ul style="list-style-type: none"> 520nm 50mW Single Mode Beam TO18 Package Built-in Photodiode 					
Applications: <ul style="list-style-type: none"> Medical laser treatment Laser Indicator Laser Detector 					
Specifications		WSLD-520-050m-1-PD			
		Min	Type	Max	
Center Wavelength@25°C		510nm	520nm	530nm	
Spectral Width (FWHM)		2.0nm			
Output Power		----	40mW	50mW	
LD Mode		Single Mode			
Beam Divergence (FWHM)		$5^\circ \perp \times 15^\circ //$	$7^\circ \perp \times 21^\circ //$	$12^\circ \perp \times 24^\circ //$	
Monitor Current		----	30uA	----	
Threshold Current (Typ.)		----	55mA	80mA	
Operating Current (Typ.)		----	160mA	180mA	
Operating Voltage		----	7.5V	8.0V	
Package Style		TO18			



TO18(5.6mm) Package View

PIN Bottom View:


1	LD(-)
2	LD(+)&PD(-)
3	PD(+)

Electrically shorten LD module and store in non-extreme conditions.

Suggest using the constant current power supply.

